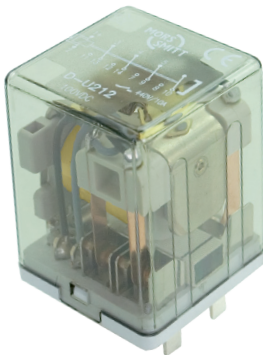


/// Plug-in railway relay with 4 C/O contacts

Rugged plug-in relays for extreme reliability, within long endurance applications and harsh environments

D-U200

Instantaneous relay
 Part of D-platform



Features

- Instantaneous compact plug-in relay, 4 C/O contacts
- Integrated back EMF suppression diode
- Magnetic arc blow-out for high breaking capacity and long contact life
- Coil voltages 12 to 250 VDC
- Maximum continuous current 10 A
- Maximum switching voltage 250 VDC, 440 VAC
- High breaking capacity
- Minimum switching current 10 mA (optional 1 mA)
- Mechanical life 50 million operations
- Electrical life 10 million operations at 24 VDC, 0.5 A resistive load
- Integrated snaplock, no external retaining clip needed
- Transparent cover for easy visual inspection
- Flexibility with many options and wide range of sockets
- Optional positive mechanical keying relay to socket
- Fully railway compliant

Description

Plug-in railway relay with 4 change-over contacts. Standard equipped with a back EMF suppression diode and magnetic arc blow-out for high breaking capacity and long contact life. Proven reliable operation in switching high DC voltage / inductive loads and low currents. No external retaining clip needed as integrated 'snap-lock' will hold relay into socket under all circumstances and mounting directions.

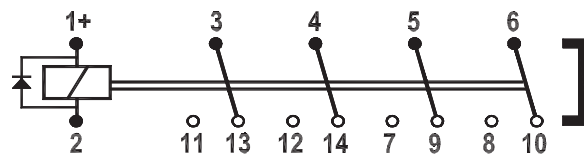
The construction of the relay and choice of materials makes the D-U200 relay suitable to withstand corrosive atmospheres, low and high temperatures, shock & vibrating and dry to very humid environments.

Compact design, choice of many options and a wide range of sockets makes the D-U200 relay an easy and flexible solution to use.

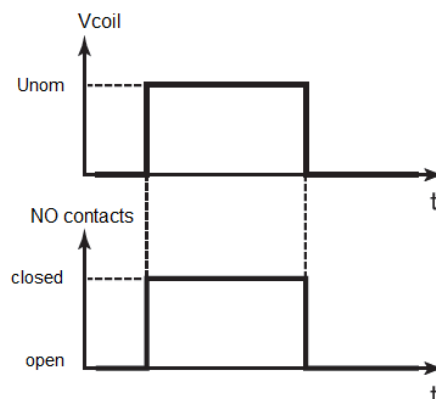
Application

Demanding rolling stock applications such as door control, traction control, braking systems etc. Designed for extreme reliability, within long endurance applications and harsh environments.

Connection diagram



Timing diagram



Railway compliancy

EN 50155	EN 50121
IEC 60571	EN 45545-2
IEC 60077	NF F16-101/102
IEC 60947	NF F 62-002
IEC 61373	

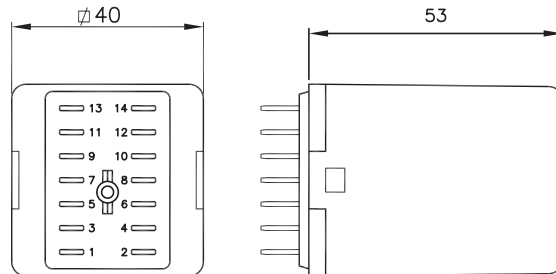


Instantaneous relay D-U200

Options

- Weld-no-transfer contacts
- Low temperature (-50 °C), max. contact current 8 A
- Gold plated contacts
- Extra dust protection
- LED coil indicator
- Bipolar LED indicator
- AgSnO₂ contacts, high resistant to welding
- No magnetic arc blow-out
- Polarisation diode
- Double zener diode
- Push-to-test button
- Coil for both AC and DC
- Double make / double break contacts (-50 °C)
- No diode
- Make before break contact
- Reversed polarity
- Keying

Dimensions (mm)



Remark: Not all combinations possible

Sockets

		Mounting			
		Surface / Wall	35 mm rail	Panel / Flush	PCB
Terminal connection	Screw	V23	V23	-	-
	Screw - wide terminals	V22 BR	V23 BR	-	-
	Spring clamp	V29	V29	V33	-
	Faston	-	-	V31	-
	Crimp	-	-	V26	-
	Solder tag	-	-	V3	-
	PCB	-	-	-	V32

For more information see the respective datasheets

For more detailed technical specifications, drawings and ordering information, go to the product page on www.morssmitt.com

 **Over 10 million Mors Smitt relays in use in rail transport applications worldwide!**

Mors Smitt Asia Ltd.
 Unit B & C, 25/F., Casey Aberdeen House
 38 Heung Yip Road, Wong Chuk Hang
 Hong Kong
 Tel: +852 2343 555
sales.msa@wabtec.com

Mors Smitt France SAS
 2 Rue de la Mandinière
 72300 Sablé-sur-Sarthe, France
 Tel: +33 (0) 243 92 82 00
sales.msf@wabtec.com

Mors Smitt UK Ltd.
 Graycar Business Park,
 Burton on Trent, DE13 8EN, UK
 Tel: +44 (0)1283 357 263
sales.msuk@wabtec.com

Wabtec Netherlands B.V.
 Darwinstraat 10,
 6718 XR Ede, Netherlands
 Tel: +31 (0)88 600 4555
sales.msbv@wabtec.com

Mors Smitt Technologies Ltd.
 1010 Johnson Drive,
 Buffalo Grove, IL 60089-6918, USA
 Tel: +1 847 777 6497
salesmst@wabtec.com

RMS Mors Smitt
 19 Southern Court,
 Keysborough, VIC 3173, Australia
 Tel: +61 (0)3 8544 1200
sales.rms@wabtec.com

(c) Copyright 2021

All rights reserved. Nothing from this edition may be multiplied, or made public in any form or manner, either electronically, mechanically, by photocopying, recording, or in any manner, without prior written consent from Mors Smitt. This also applies to accompanying drawings and diagrams. Due to a policy of continuous development Mors Smitt reserves the right to alter the equipment specification and description outlined in this datasheet without prior notice and no part of this publication shall be deemed to be part of any contract for the equipment unless specifically referred to as an inclusion within such contract. Mors Smitt does not warrant that any of the information contained herein is complete, accurate, free from potential errors, or fit for any particular purpose. Mors Smitt does not accept any responsibility arising from any party's use of the information in this document.

Technical specifications

Instantaneous relay D-U200

Coil characteristics

Inductance L/R at Unom (typical value):	
Energized	11 ms
Released	8 ms
Nominal power consumption	2.2 W @ Unom
Operating voltage range	0.7 - 1.25 Unom

Type	Unom (VDC)	Umin (VDC)	Umax (VDC)	Udrop-out (VDC)	Rcoil * (Ω)	Icoil-nom (mA)
D-U201	24	16.8	30	2.4	270	89
D-U202	48	33.6	60	4.8	1046	46
D-U203	72	50.4	90	7.2	2406	30
D-U204	110	77	137.5	11	5330	21
D-U205	96	67.2	120	9.6	4150	23
D-U206	12	8.4	15	1.2	72	167
D-U207	36	25.2	45	3.6	562	64
D-U208	55	38.5	69	5.5	1300	42
D-U210	120	84	150	12	6160	19
D-U213	125	87.5	156.25	12.5	7634	16
D-U215	220	154	275	22	21776	10
D-U220	250	175	312.5	25	23850	10

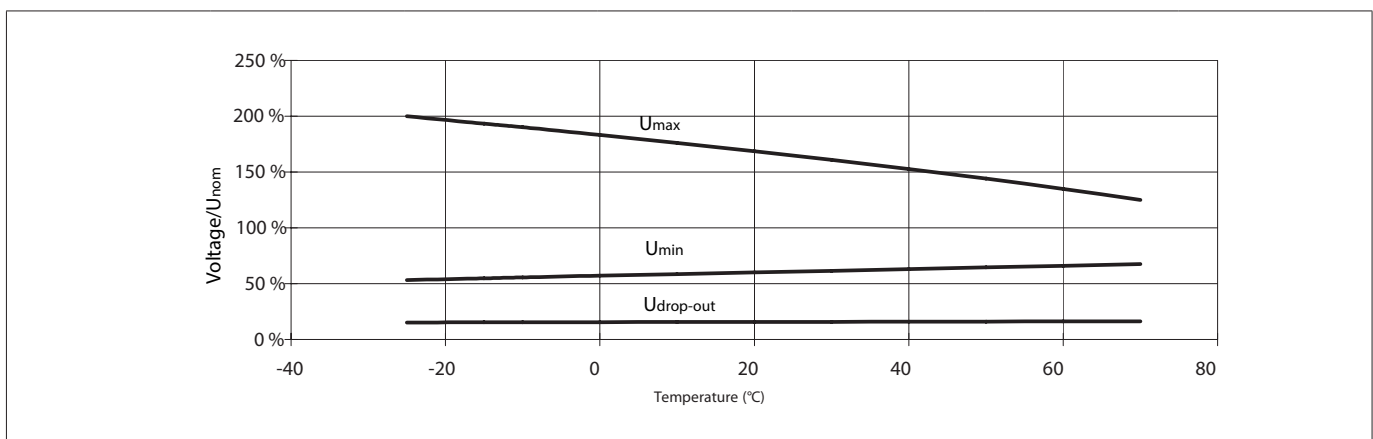
Other types on request

* The Rcoil is measured at room temperature and has a tolerance of $\pm 10\%$, with option L (LED) the value can differ

Remarks:

- Umin is the must-operate voltage at which the relay has picked up in all circumstances (worst-case situation), in practice the relay picks up at a lower voltage
- Udrop-out is the must-release voltage at which the relay has dropped-out in all circumstances (worst-case situation), in practice the relay drops out at a higher voltage
- Always select the nominal voltage as close as possible to the actual voltage in the application

Operating range at various temperatures



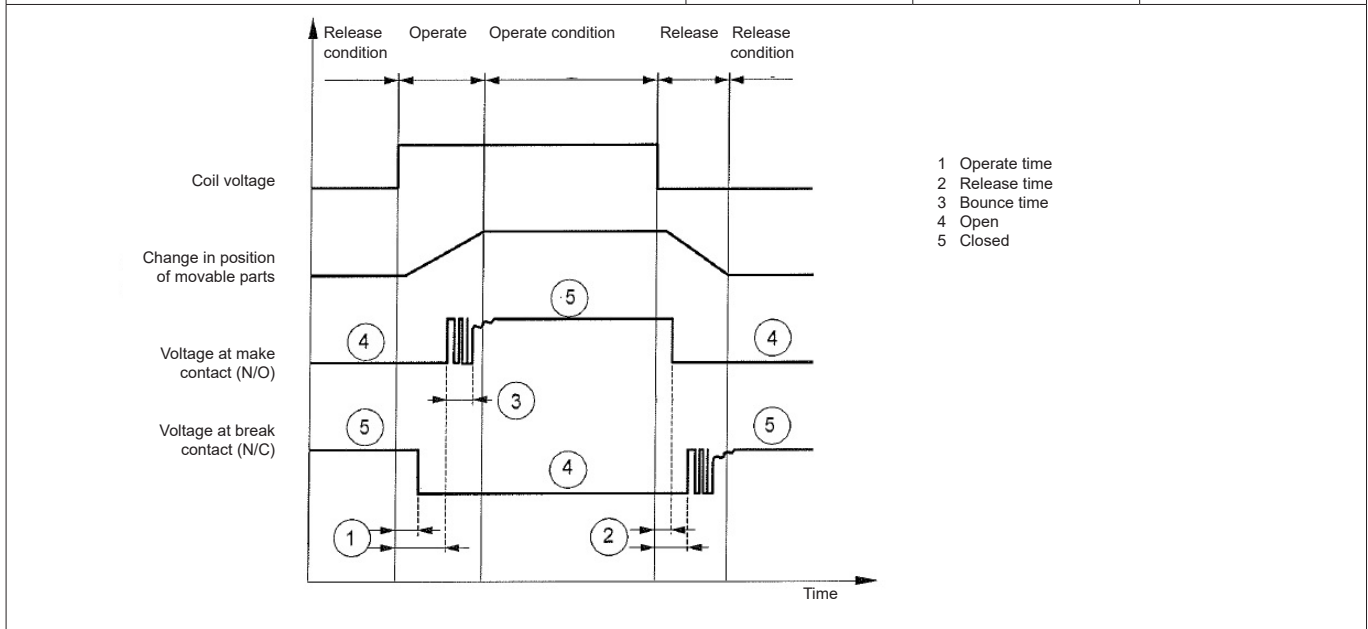
Remark: In June 2019 the coil tape color is changed to yellow. This change has no effect on any of the relay specifications or technical performance.

Instantaneous relay D-U200

Contact characteristics

Amount and type of contacts		4 C/O
Peak inrush current	NF F 62-002	200 A (withstand > 10 x 200 A @ 10 ms, 1 min) 80 A (withstand > 10 x 80 A @ 200 ms, 1 min) 40 A (withstand > 10 x 40 A @ 500 ms, 1 min) 30 A (withstand > 10 x 30 A @ 1000 ms, 1 min)
Maximum continuous current		10 A
Maximum switching voltage		250 VDC, 440 VAC
Minimum switching voltage		12 V
Minimum switching current		10 mA
Maximum breaking capacity (> 50.000 operations)		72 VDC, 5 A (L/R ≤ 40 ms) 110 VDC, 10 A (resistive load) 110 VDC, 0.5 A (L/R ≤ 40 ms)
Contact resistance		15 mΩ (initial)
Material		Ag standard (optional AgSnO ₂ , Au on Ag)
Contact gap		0.7 mm
Contact force		> 200 mN

Operating times (ms) at nominal voltage (typical value):	Standard relay	With double zener diode (option Q)	Without diode (Option Z)
Operate time	18	17	19
Release time	21	8	6
Bounce time N/O contacts	7	6	6
Bounce time N/C contacts	8	11	12



Electrical characteristics

Dielectric strength	Pole-pole	4 kV, 50 Hz, 1 min
	Cont-coil	2.5 kV, 50 Hz, 1 min
	Open contacts	2.5 kV; 50 Hz; 1 min
Pulse withstanding	IEC 60255-5	5 kV (1.2/50 μs)

Instantaneous relay D-U200

Mechanical characteristics

Mechanical life	50 x 10 ⁶ operations
Maximum switching frequency	Mechanical: 3600 ops/h Electrical: 1200 ops/h
Weight	140 g (without options)

Environmental characteristics

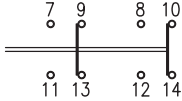
Environmental	EN 50125-1
Vibration	IEC 61373, Category I, Class B, Body mounted
Shock	IEC 61373, Category I, Class B, Body mounted
Operating temperature	-25 °C...+85 °C (optional: -50 °C)
Humidity	95% (condensation is permitted temporarily)
Maximum altitude	2000 meter. Higher altitudes are possible but have consequences mentioned in IEC 60664 (for example 5000 meter with bigger clearance distance)
Salt mist	IEC 60068-2-11, class ST4
Damp heat	IEC 60068-2-30, Test method Db variant 1
Protection	IEC 60529, IP40 (relay on socket) (with option K: IP50)
Fire & smoke	NF F 16-101, NF F 16-102, EN 45545-2: HL3 for requirements R22, R23, R26
Insulation materials	Cover: polycarbonate Base: polyester

Railway compliancy

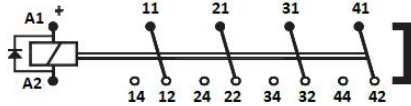
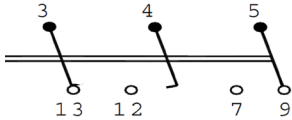
EN 50155	Railway applications - Rolling stock - Electronic equipment
IEC 60571	Railway applications - Electronic equipment used on rolling stock
IEC 60077	Railway applications - Electric equipment for rolling stock
IEC 60947	Low-voltage switchgear and controlgear
IEC 61373	Railway applications - Rolling stock equipment - Shock and vibration tests
EN 50121	Railway applications - Electromagnetic compatibility
NF F16-101/102	Railway rolling stock - Fire behavior
EN 45545-2	Railway applications - Fire protection on railway vehicles Part 2: Requirements for fire behavior of materials and components
NF F 62-002	Railway rolling stock - On-off contact relays and fixed connections

Instantaneous relay D-U200

Options

Code	Description	Remark	Cannot be combined with:
Standard options:			
C	Low temperature (-50 °C)	Icontact < 8 A	
E*	Au; Gold plated contacts (10 µm)	Yellow tape around relay for identification (option X6)	M
K	Extra dust protection	IP50 Cat 2 for the relays mounted in a Mors Smitt socket. Application PD1/PD2 and contact load > 0.5 A.	T
L	LED integrated in coil		X, X2
N	No magnetic arc blow-out		
Q	Double zener diode over coil	Unom ≤ 120 V. Maximum allowed peak voltage 180 V, higher voltage will damage the diode. Replaces back EMF diode.	Z
W	Weld no transfer (see datasheet D-U200-W)		T, 11
Y	Double make/double break contacts	2 C/O DM/DB, -50 °C 	11
Z	No diode	Polarity independent	
Keying	Coil coding relay and socket		

Special options:

M	AgSnO ₂ ; "non-weldable" contacts	Icontact > 100 mA	E
P	Polarisation diode		X, Z
T	Push to test button		K, W
X	Bipolar LED	Only in combination with Q or Z	L, P, X2
X2	AC/DC rectifier bridge	Minimum nominal voltage 24 VDC	L, X
X6	Yellow tape around relay for identification		
X8	DIN marking	 Numbering relay bottom side standard (no DIN) marking	
11	Make before break contact	1 C/O 1 N/O 1 N/C  Contact 4-12 will make before contact 3-13 will break during pull-in. No make before break during drop-out.	W, Y

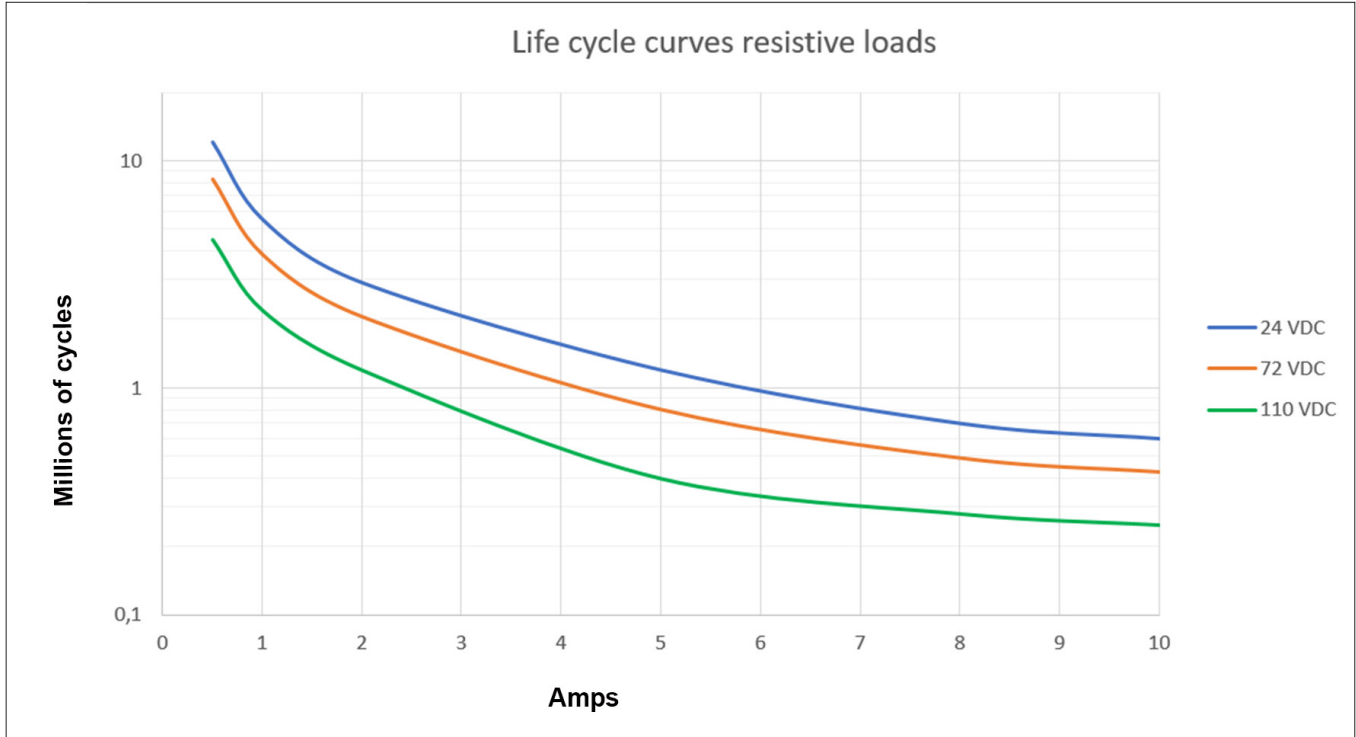
* Gold plated contacts characteristics

Material	Ag, 10 µm gold plated
Maximum switching voltage	60 V (higher voltages may be possible, contact Mors Smitt for more information)
Maximum switching current	400 mA (at higher rate gold will evaporate, then the standard silver contact rating of minimum 10 mA and 12 V is valid)
Minimum switching voltage	5 V
Minimum switching current	1 mA

Remark: For application support or technical product support, contact your local Mors Smitt sales office (see contact details on last page).

Instantaneous relay D-U200

Electrical life expectancy



By connecting 2 contacts in series the DC current breaking capacity is increased by 50 %. Electrical lifetime is tested under laboratory conditions with switching frequency 0.33 Hz.

Note: The actual electrical lifetime in the application is affected by the switching frequency, type of contact (N/O or N/C), environmental conditions, etc.

Expected electrical lifetime inductive loads:

Inductance	Voltage	% of resistive load	Remark
15 ms	24 VDC	30 %	
15 ms	72 VDC	25 %	Tested up to 8 A
15 ms	110 VDC	20 %	Tested up to 0.5 A
40 ms	24 VDC	10 %	
40 ms	72 VDC	4 %	Tested up to 5 A
40 ms	110 VDC	2 %	Tested up to 0.5 A

For other contact loads: contact Mors Smitt.

Instantaneous relay D-U200

Mounting possibilities/sockets



Surface/wall mounting

338000302	V22BR	Screw socket, wall mount, front connection (9 mm terminals)
338000580	V23	Screw socket, wall mount, front connection (7.5 mm terminals)
338000610	V29	Spring clamp socket, wall mount, front dual connection (2.5 mm ²)

Rail mounting

338000580	V23	Screw socket, rail mount, front connection (7.5 mm terminals)
338000402	V23BR	Screw socket, rail mount, front connection (9 mm terminals)
338000610	V29	Spring clamp socket, rail mount, front dual connection (2.5 mm ²)

Panel/flush mounting

338100100	V3	Solder tag socket, panel mount, rear connection
328400100	V26	Crimp contact socket, panel mount, rear connection, A260 crimp contact
338000560	V31	Faston connection socket, rear dual connection (4.8 x 0.8 mm)
338000570	V33	Spring clamp socket, flush mount, rear dual connection (2.5 mm ²)

PCB mounting

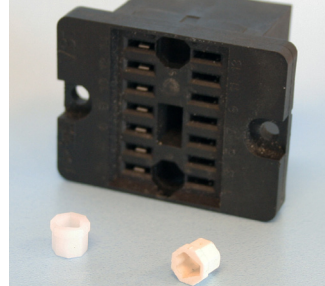
338000561	V32	PCB soldering socket
-----------	-----	----------------------

No external retaining clip needed as the 'snap-lock' will hold the relay into the socket under all circumstances and mounting directions (according shock & vibration requirements IEC 61373, Category I, Class B, Body mounted). If regulations require external retaining clips, these are available as well.

For more details see datasheets of the sockets on www.morssmitt.com

Instantaneous relay D-U200

Mechanical keying relay and socket (optional)



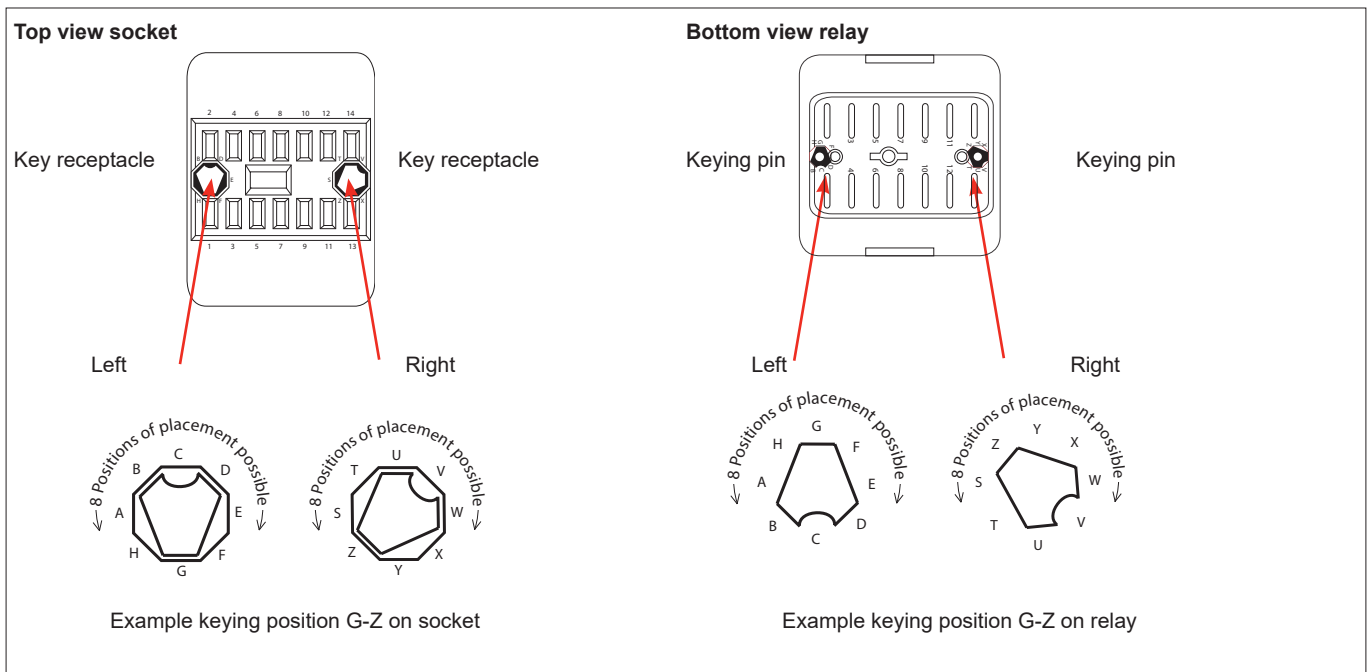
Function:

- To prevent wrong installation
- To prevent damage to equipment
- To prevent unsafe situations

Using keyed relays and sockets prevents a relay is inserted in a wrong socket. For example it prevents that a 24 VDC relay is put in a 110 VDC circuit. Positive discrimination is possible per different function, coil voltage, timing, monitoring, safety and non-safety.

The D relay socket keying option gives $8 \times 8 = 64$ possibilities. Upon ordering the customer simply indicates the need for the optional keying. Mors Smitt will assign a code to the relay and fix the pins into the relay. The sockets are supplied with loose key receptacles. Inserting the keys into the socket is very simple and self explaining.

Remark: Sockets and relay shown are examples.



Instantaneous relay D-U200

Important for relay selection and operation

Make sure the relay is suitable for the application. For critical applications (for example: green loop applications) relays should be checked on correct working during periodic inspection.

Recommendations for long time contact reliability

For relays to enable failure free performance over a very long operational time, it is important to create the right circumstances. In any relay, contact usage and atmospheric conditions influence the contact surface. To counter this effect it is common practice to use a safety factor of > 2 to ensure long time contact reliability.

Therefore for long time contact reliability we recommend:

- Silver contacts: a minimum contact current of 20 mA per contact
- Gold contacts: a minimum contact current of 10 mA per contact
- Double Make Double Break contacts: a minimum contact current of 40 mA per contact
- When low currents are switched and not frequently, e.g. 10 mA once a day, it is advised next to gold plated contacts to put similar contacts within the same relay in parallel
- With higher load switching, e.g. 110 VDC and > 1 A, put relay contacts in series
- Rule of thumb: any relay works best with switching currents > 20 mA in DC environment when frequently switched. When not switched frequently a higher switching current like 50 mA is better for a long reliable operational time
- Check relays regularly, for example with the Mors Smitt Portable Relay Tester and visually through the transparent cover

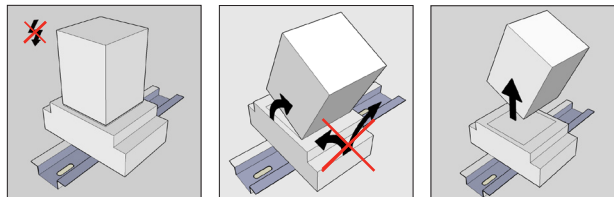
Instructions for use

Installation

Before installation or working on the relay: disconnect the power supply first (no hot swapping)! Install socket and connect wiring according to the terminal identification. Plug relay into the socket ensuring there is no gap between the bottom of relay and the socket. Reverse installation into the socket is not possible due to the mechanical blocking snap-lock feature. Check to ensure that the coil connection polarity is not reversed. Relays can be mounted tightly together to save space. When rail mounting is used, always mount the socket in the direction of the UP arrow, to have proper fixation of the socket on the rail.

Warning!

- Never use silicon in the proximity of the relays
- Do not use the relay in the presense of flammable gas as the arc generated from switching could cause ignition
- To remove relays from the socket, employ up and down lever movements. Sideway movement may cause damage to the coil wires



- Relays should never be swapped to other circuit positions when taken out of its socket for inspection or fault finding, always place it back into the original position to prevent contact resistance problems. Contact resistance problems can be created when swapping relays between different circuit loads due the contact wear/condition having changed during its operational life.

Operation

After installation always apply the rated voltage to the coil to check correct operation. Long term storage may corrode the silver on the relay pins. When plugging the relay into the socket, the female bifurcated or trifurcated receivers will automatically cut through the corrosion on the pins and guarantee a reliable connection.

Before actual use of relays, it is advised to switch the load several times with the contacts. The contacts will both be electrically and mechanically cleaned due to the positive wiping action. Sometimes a contact can build up increased contact resistance (≤ 15 m Ω when new). When using silver contacts one can clean the contact by switching a contact load a few times using >24 VDC & ~ 2 A. Increased contact resistance is not always problematic, as it depends on circuit conditions. In general a contact resistance of 1 Ω is no problem, consult Mors Smitt for more information.

Condensation in the relay is possible when the coil is energised (warm) and the outside, environmental temperature is cold. This is a normal phenomenon and will not affect the function of the relay. Materials in the relay have no hygroscopic properties.

Instantaneous relay D-U200

Inspection / maintenance

Correct operation of the relay can easily be checked as the transparent cover provides good visibility of the moving contacts. If the relay does not seem to operate correctly, check for presence of the appropriate coil voltage and polarity using a suitable multimeter. If a LED is fitted, it indicates voltage presence to the coil. If coil voltage is present, but the relay does not operate, a short circuit of the suppression diode is possible (This may have been reversed due to the coil connection).

Relays can easily be tested with the Mors Smitt Relay Tester. More information on: www.morssmitt.com.

If the relay doesn't work after inspection, replace the relay unit with a similar model. Do not attempt to open the relay cover or try to repair. Contacts are calibrated and in balance, touching can affect proper operation. Also resoldering may affect correct operation. Since 2009 relays have tamper proof seals fitted and once broken, warranty is void.

Most relay defects are caused by installation faults such as overvoltage, spikes/transients, high/short current far exceeding the relay specifications. When returning the relays for investigation, please provide all information on the RMA form. Send defective relays back to the manufacturer for repair or replacement. Normal wear and tear or external causes are excluded from warranty.

RMA procedure see www.morssmitt.com

Instantaneous relay D-U200

Ordering scheme

D-U2		-	Code			
Coil voltages	01			24 VDC		
	02			48 VDC		
	03			72 VDC		
	04			110 VDC		
	05			96 VDC		
	06			12 VDC		
	07			36 VDC		
	08			55 VDC		
	10			120 VDC		
	13			125 VDC		
	15			220 VDC		
20			250 VDC	Cannot be combined with:		
Options (add as many options as needed)	C			Low temperature (-50 °C) - Max contact current 8 A		
	E			Gold plated contacts	M	
	K			Extra dust protection, IP50	T	
	L			LED coil indicator	X, X2	
	N			No magnetic arc blow-out		
	Q			Double zener diode	Z	
	W013			Weld no transfer, 1 NC / 3 NO (see separate datasheet D-U200-W)	T, 11	
	W022			Weld no transfer, 2 NC / 2 NO (see separate datasheet D-U200-W)	T, 11	
	W031			Weld no transfer, 3 NC / 1 NO (see separate datasheet D-U200-W)	T, 11	
	Y			Double make/ double break (-50 °C)	11	
Z			No diode	Q, P		
Special options (minimum order quantity: 20)	M			AgSnO2 contacts, highly resistant to welding	E	
	P			Polarisation diode	X, Z	
	T			Push-to-test-button	K, W	
	X			Bipolar LED	L, P, X2	
	X2			Coil for both DC and AC	L, X	
	X6			Yellow tape around relay for identification		
	X8			DIN marking		
	11			Make before break contact	W, Y	
	Keying code (optional, leave blank if not required)				Standard, silver contacts	
	Remark: keying codes are available for all possible coil voltages.	AS			24 VDC	D-U201 code AS
AY				36 VDC	D-U207 code AY	
AT				48 VDC	D-U202 code AT	
AU				72 VDC	D-U203 code AU	
AV				110 VDC	D-U204 code AV	
Option E, gold contacts						
DT				24 VDC	D-U201-E code DT	
FV				36 VDC	D-U207-E code FV	
HU				48 VDC	D-U202-E code HU	
AZ				72 VDC	D-U203-E code AZ	
HV				110 VDC	D-U204-E code HV	
Option M, silver tin oxide contacts						
GT				24 VDC	D-U201-M code GT	
HT				36 VDC	D-U207-M code HT	
GU				48 VDC	D-U202-M code GU	
GV				72 VDC	D-U203-M code GV	
GW			110 VDC	D-U204-M code GW		

Example: D-U204-CL code AV

Description: D-U200 relay, Unom: 110 VDC, low temperature (-50 °C), LED coil indicator, keying code AV

Instantaneous relay
D-U200

 **Over 10 million Mors Smitt relays in use in rail transport applications worldwide!**

Mors Smitt Asia Ltd.
Unit B & C, 25/F., Casey Aberdeen House
38 Heung Yip Road, Wong Chuk Hang
Hong Kong
Tel: +852 2343 555
sales.msa@wabtec.com

Mors Smitt France SAS
2 Rue de la Mandinière
72300 Sablé-sur-Sarthe, France
Tel: +33 (0) 243 92 82 00
sales.msf@wabtec.com

Mors Smitt UK Ltd.
Graycar Business Park,
Burton on Trent, DE13 8EN, UK
Tel: +44 (0)1283 357 263
sales.msuk@wabtec.com

Wabtec Netherlands B.V.
Darwinstraat 10,
6718 XR Ede, Netherlands
Tel: +31 (0)88 600 4555
sales.msbv@wabtec.com

Mors Smitt Technologies Ltd.
1010 Johnson Drive,
Buffalo Grove, IL 60089-6918, USA
Tel: +1 847 777 6497
salesmst@wabtec.com

RMS Mors Smitt
19 Southern Court,
Keysborough, VIC 3173, Australia
Tel: +61 (0)3 8544 1200
sales.rms@wabtec.com

(c) Copyright 2021

All rights reserved. Nothing from this edition may be multiplied, or made public in any form or manner, either electronically, mechanically, by photocopying, recording, or in any manner, without prior written consent from Mors Smitt. This also applies to accompanying drawings and diagrams. Due to a policy of continuous development Mors Smitt reserves the right to alter the equipment specification and description outlined in this datasheet without prior notice and no part of this publication shall be deemed to be part of any contract for the equipment unless specifically referred to as an inclusion within such contract. Mors Smitt does not warrant that any of the information contained herein is complete, accurate, free from potential errors, or fit for any particular purpose. Mors Smitt does not accept any responsibility arising from any party's use of the information in this document.