

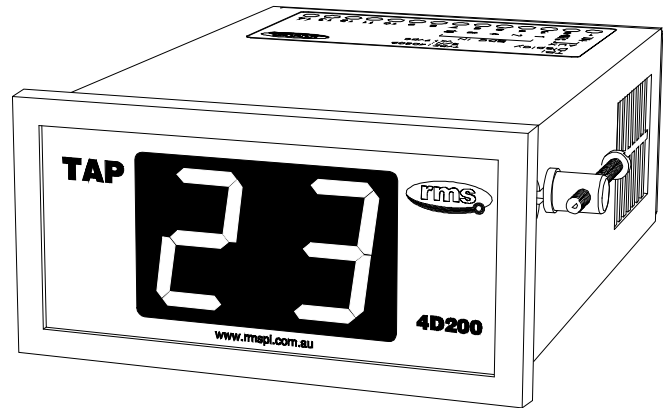
Features

- Designed to interface with the RMS 2V200 TPI transducer
- Optional BCD / BIN input interface
- Compact panel mount case
- Bright 25mm digit red LED display
- 12V DC auxiliary supply input for use with external isolating AC power adaptor
- Double insulated high impact polystyrol case
- Simple & robust construction

Application

The 4D200 may be applied to a number of system configurations as shown below. While the 4D200 may be specified to directly accept BCD / BIN input signals, it is more convenient to simply employ an RMS 2V200 TPI transmitter unit.

This has the advantage of only requiring a two wire connection between the 2V200 mounted at the tap changer & the 4D200 display module. Refer to the 2V200 Technical bulletin for details on the other advantages this system provides.



Description

Made in Australia

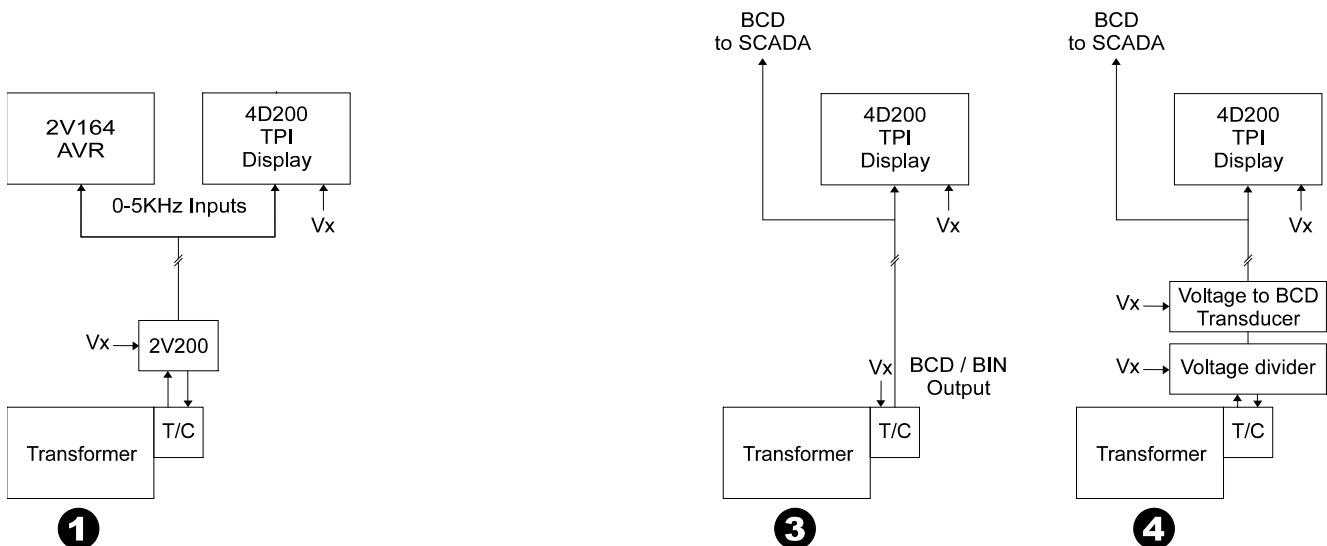
The 4D200 is a compact panel mount module incorporating 2 bright 25mm LED digits for the display of a power transformer tap position over the range TAP 1 to TAP 30.

The 4D200 is specifically designed for operation with the RMS type 2V200 TPI to frequency transducer. The 2V200 provides a noise immune interface between the tap changer & the 4D200 via a 0 to 5KHZ frequency signal.

Alternatively, the 4D200 may be configured to accept a BCD / BIN coded input direct from the tap changer or via a voltage to BCD / BIN transducer.

Where an RMS 2V164 Voltage Regulating Relay is being used with a 2V200 TPI Transducer, a 4D200 may be connected in parallel to provide a local easy to read tap position indication.

Application Examples





Technical Data

AUXILIARY POWER SUPPLY

Vx input: 12V DC

Use separate Idec PS5R-VB12 isolating power supply module to interface with AC or DC auxiliary supplies.

POWER CONSUMPTION

<4VA (3W)

4D200 INPUTS

Application example 1

0-5KHz frequency input provided by the RMS 2V200 TPI transducer.

Application examples 3 & 4

BCD/BIN input direct from tap changer or voltage divider to BCD/BIN transducer. 50V DC or 110/125V DC input range may be specified.

BCD / BINARY SETTING

Default setting : BCD input

Changing between BCD & Binary input setting is achieved by opening the case & setting a series of DIP switches in accordance with the 4D200 User Guide.

MAXIMUM TAP SELECTION

Where the 0-5KHz frequency input is employed the 4D200 TPI display module must be set with the maximum tap number. This is achieved by opening the case & setting a series of DIP switches in accordance with the 4D200 User Guide.

4D200 DISPLAY

2 x 7 segment 25mm red LED digits display the tap position over the range tap 1 to a maximum tap 30.

OPERATING TEMPERATURE RANGE

-5 to 55 degrees C.

INSULATION WITHSTAND

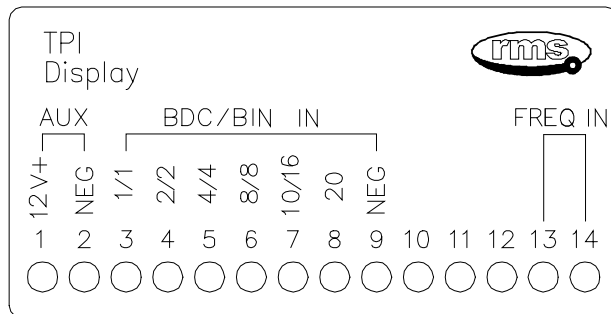
In accordance with IEC 255-5:

2KV RMS between input & output. 1.2/50 5KV impulse input & output.

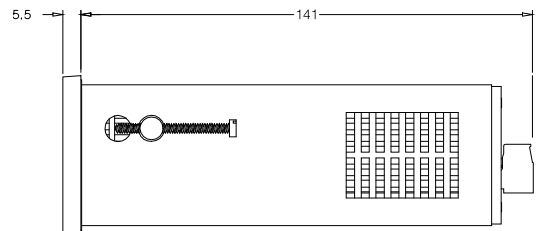
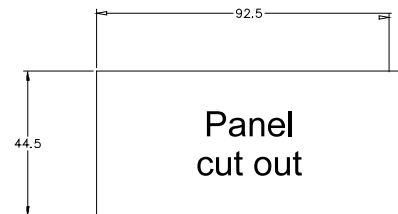
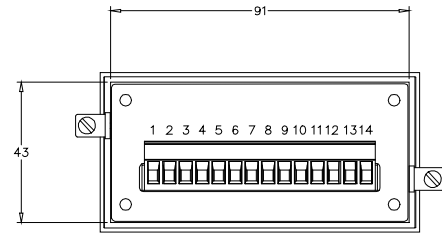
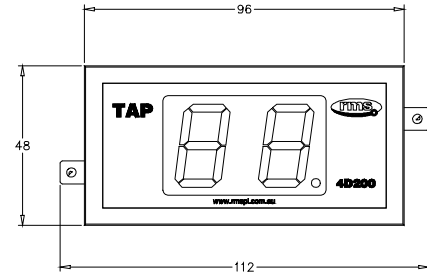
NOISE IMMUNITY

Withstands the high frequency interference test detailed in IEC 255-22-1.

4D200 Rear Panel Screw Terminals



CASE DIMENSIONS & MOUNTING



CASE TERMINALS

14 way plug in screw terminal block.

IDEC PS5R-VB12 POWER SUPPLY MODULE

The Idec PS5R-VB12 DIN rail mount power supply is suitable for providing the 12V DC auxiliary supplied required to operate the 4D200 TPI Display module.

Vx input: 85 to 264V AC

100 to 370V DC

Power output: 15W continuous



Ordering Information

PS5R Power Supply Module

Generate the required ordering code as follows: e.g. PS5R-VB12

PS5R-V

1

 12

1 OUTPUT POWER RATING

B 15W version to power up to three 4D200 modules

4D200 TPI Display Module

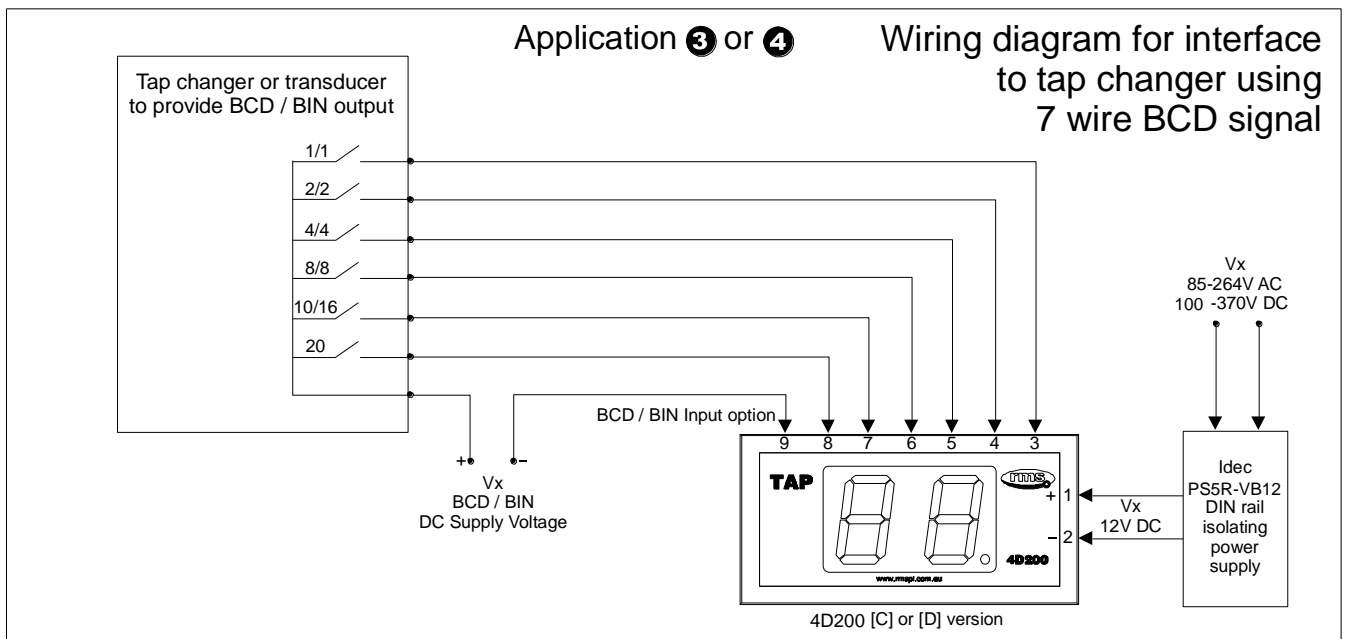
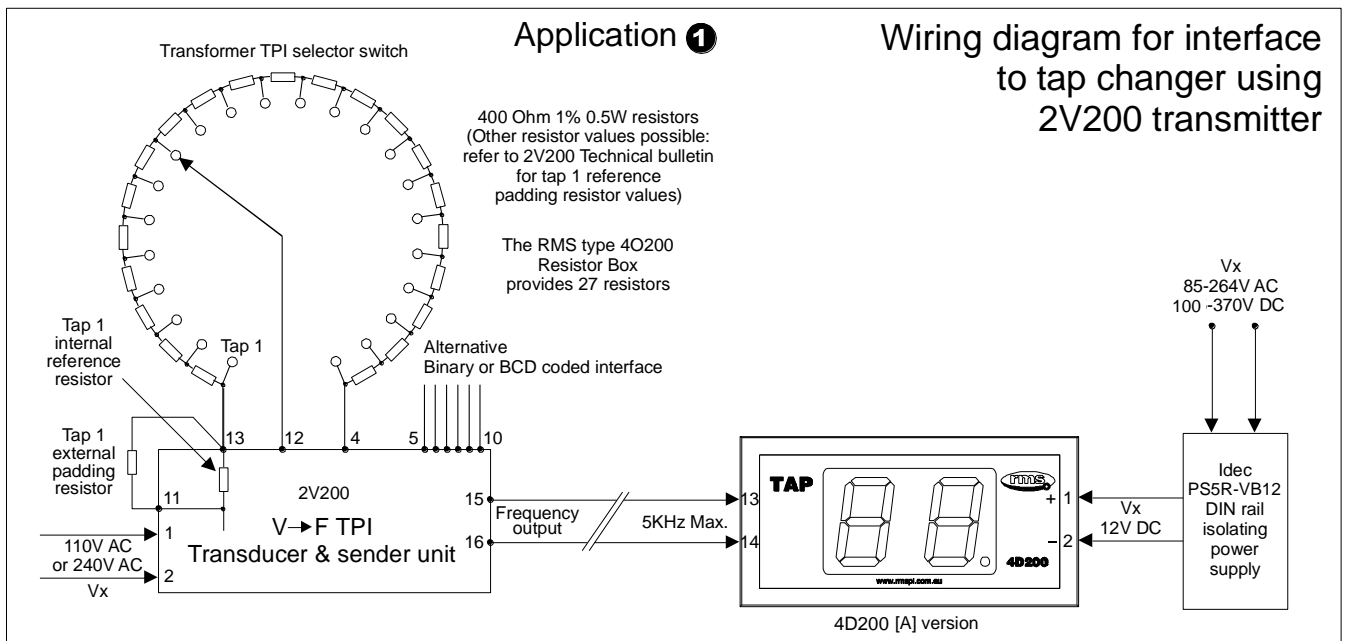
Generate the required ordering code as follows: e.g. 4D200-A

4D200

1

1 I/O INTERFACE SPECIFICATION

- A 0-5KHz frequency input version (Application 1 or 2)
- C BCD/Binary input - 50V DC input (Application 3 or 4)
- D BCD/Binary input - 110/125V DC input (Application 3 or 4)



RMS Mors Smitt
19 Southern Court
Keysborough, VIC 3173, Australia
Tel: +61 (0)3 8544 1200
sales.rms@wabtec.com



Wabtec Netherlands B.V.
Darwinstraat 10
6718 XR Ede, Netherlands
Tel: +31 (0)88 600 4500
wnl_salessupport@wabtec.com



Visit www.morssmitt.com/rms for the latest product information.
Due to RMS continuous product improvement policy this information is subject to change without notice.