

Features

- Modular packaging
- Rack or flush mounting
- Draw out module
- M4 screw terminals
- Operating coils are available for 24, 30, 48, 110, 125, 220 & 250 Volts DC
- Contacts are of fine solid silver designed & manufactured to ensure low resistance & high reliability
- High isolation across open contacts
- High make and carry rating
- High visibility electro-mechanical flag indication
- Rugged modular construction

Application

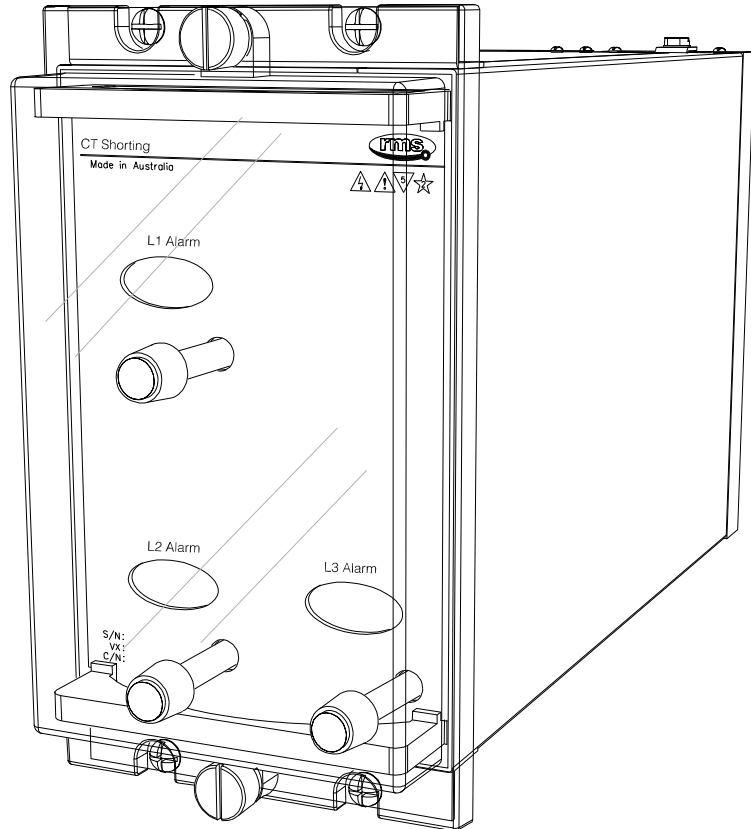
Numeric High Impedance Differential Protection Relays with integral Current Transformer (CT) monitoring can be set to detect CT circuit failure i.e. open circuit in the CT Buswires, Switching Contacts or the CT itself. If failure is detected then a 'Pole X CT Failure Alarm' output will be given, this can be used to energise a CT buswire shorting relay.

The type 6RA206-B has a single hand element which enables shorting of all three poles via separate, heavy duty, latching contacts across the buswires of each pole, also provides three latching Common Alarm contacts.

The type 6RA206-D has three separate single-pole hand reset elements which enables shorting of the faulty pole via separate heavy-duty latching contacts across the buswires of the faulty pole leaving the other healthy poles in-service. One additional latching Alarm contact is provided per pole.

The type 6RA207-B has a single element electrically reset element which enables shorting of all three poles via separate, heavy duty, 6 N/O & 3 N/C latching contacts + 1 N/O latching alarm contact.

Where static High Impedance Differential Relays e.g. RMS type 2V73 or 2C73, are used, then a dedicated CT Monitoring Relay type 2V68 with integral CT shorting contacts may be applied to perform both CT Failure detection and automatic three pole shorting of the scheme buswires.



6RA206-Dx depicted in a 4M28 case

Description

Made in Australia

The 6RA20 CT Shorting relays are a special derivative of the standard 6R MATRIX auxiliary relay. This model range has been designed specifically for CT shorting.

All relay versions are supplied fitted with heavy duty contacts to achieve high voltage isolation across open contacts & high short term carry current.

Contacts are constructed from solid silver, shaped & positioned to ensure very reliable, low resistance operation. Over travel of the contacts during each operation causes a wiping action ensuring a clean "make".

The 6RA207 electrical reset version is fitted with series contacts in the operate & reset coil circuits. This provides thermal protection for the reset coil & a zero burden in the picked up state.

Refer also to the following Fact Sheet for detailed information on product applications & technical specifications:

- ◆ 2V68 CT Monitoring & Shorting Relay

Technical Data

OPERATE TIME


Instantaneous operation: <80 ms

RESET FUNCTION

6RA206: A manual reset push button is provided on the front panel for each element to reset the flag(s) & contacts.

6RA207: Electrical reset only – No reset button fitted. A series contact is employed in the electrical reset circuit to protect the reset coil.

OUTPUT RELAY OPERATION INDICATOR

Each relay element is supplied with a flag (target) indicator. The indicator consists of a high visibility solid dayglow orange mechanical flag. 

6RA206: One hand reset flag per element
Target visible when the contacts are picked up

6RA207: One self reset flag per element
Target visible when the contacts are reset

ALARM CONTACTS

6RA206: 3 N/O latching hand reset contacts

6RA207: 1 N/O electrically reset contact

BUSWIRE SHORTING CONTACTS

6RA206: 3 N/O latching hand reset contacts

6RA207: 3 N/C electrically reset contacts

6 N/O electrically reset contacts

BURDENS

6RA206: Operating burden: <3 W at nominal voltage
Operated burden: <3 W at nominal voltage

6RA207: Operating burden: <3 W at nominal voltage
A series contact is employed in the operate coil circuit to ensure zero burden in the picked up state.
Operated burden: Zero
Reset burden: <25 W at nominal voltage

OPERATING VOLTAGE

75% to 125% of nominal DC voltage.

THERMAL RATING

All operate circuits are designed to withstand continuous application of 125% of nominal voltage.

CASE

Single element version for three pole common CT shorting

Size 2-S draw out

28 M4 screw terminals

Flush panel mount or 4U high 1/8 width 19 inch rack mount

IP51 rating

The 6RA207 version has automatic CT shorting switches fitted to the outer case across the 3 N/C contacts.

Three element version for phase segregated CT shorting

Size 4-S draw out

28 M4 screw terminals

Flush panel mount or 4U high 1/4 width 19 inch rack mount

IP51 rating

ACCESSORIES SUPPLIED WITH EACH RELAY

1 x M4 self threading mounting screw kit P/N 290-406-151

1 x M4 terminal screw kit (28 per kit) P/N 290-407-153

6R RELAY CONTACT RATINGS

Make & Carry Continuously

3,000 VA AC resistive with maximums of 660 V & 12 A

3,000 W DC resistive with maximums of 660 V & 12 A

Make & Carry for 3 Seconds

7,500 VA AC resistive with maximums of 660 V & 30 A

7,500 W DC resistive with maximums of 660 V & 30 A

Carry for 0.5s

150 A rms for 0.5 s

AC Break Capacity

3,000 VA AC resistive with maximums of 660 V & 12 A

DC Break Capacity (amps)

Voltage		24 V	48 V	125 V	250 V
Resistive rating		12	1.5	0.5	0.25
L/R=40ms	Maximum break	12	1	0.35	0.15

Isolation Across Open Buswire Shorting Contacts

3 kV rms

Isolation Across Open Alarm Contacts

1 kV rms

INSULATION WITHSTAND

IEC60255-5

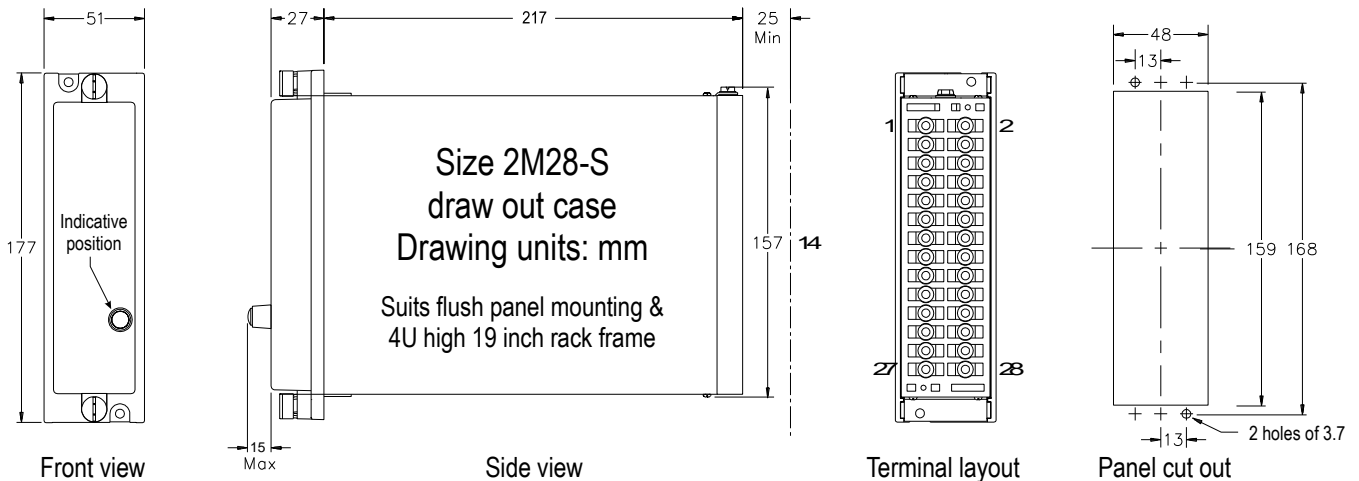
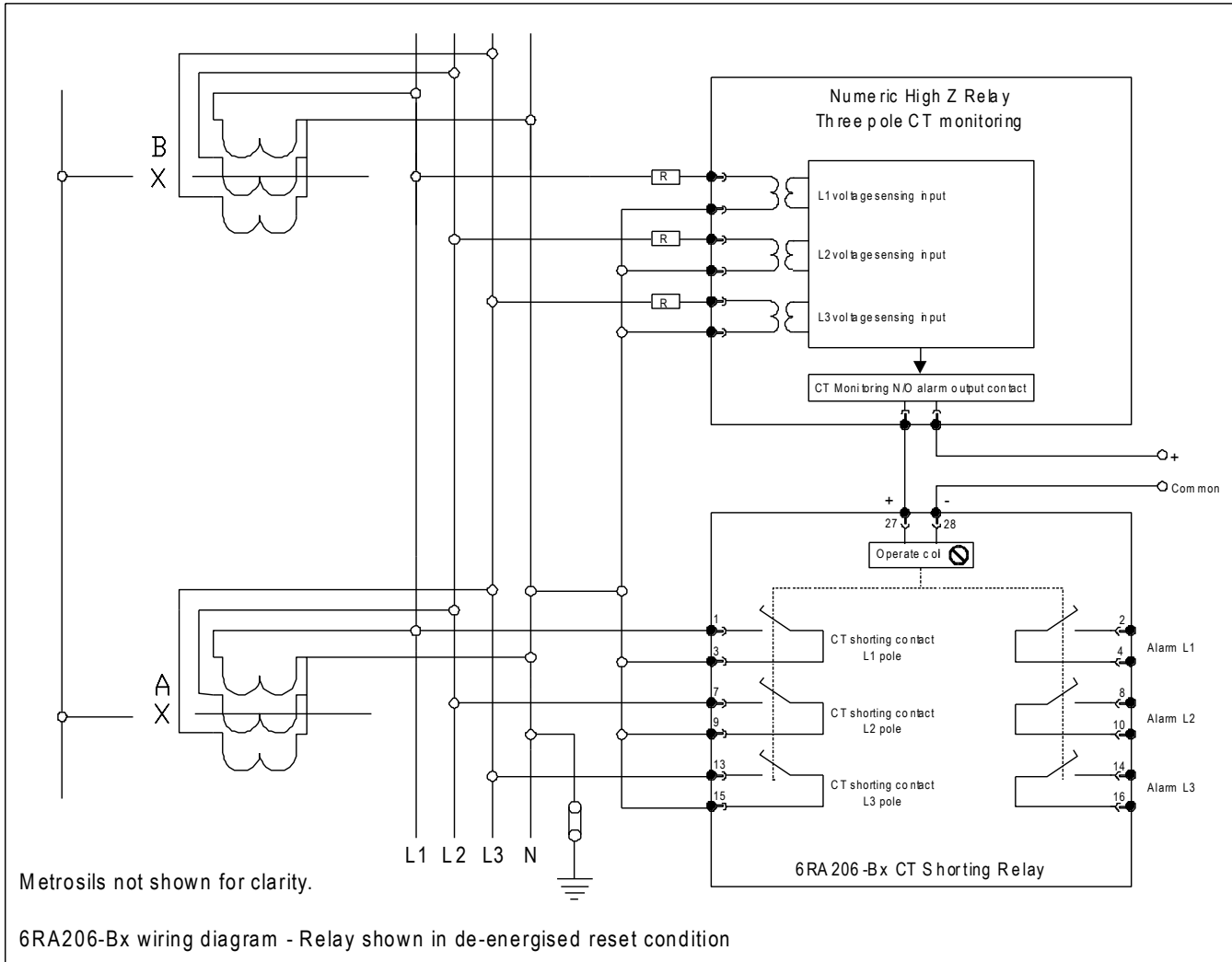
2 kV rms for one minute & 1.2/50 5 kV impulse between:

- ◆ all input terminals & frame
- ◆ all output terminals & frame
- ◆ all input & output terminals
- ◆ each input group
- ◆ each output group

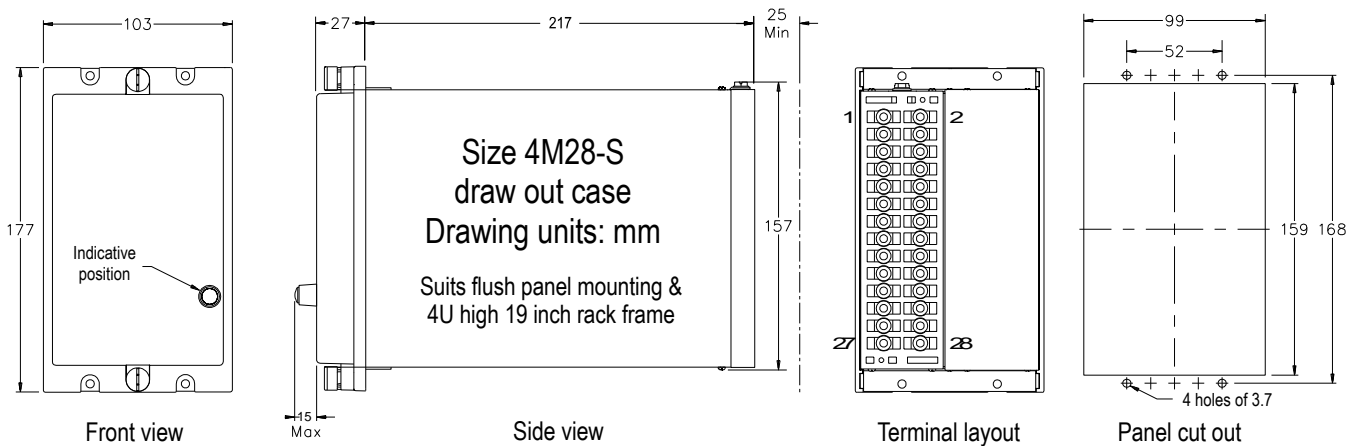
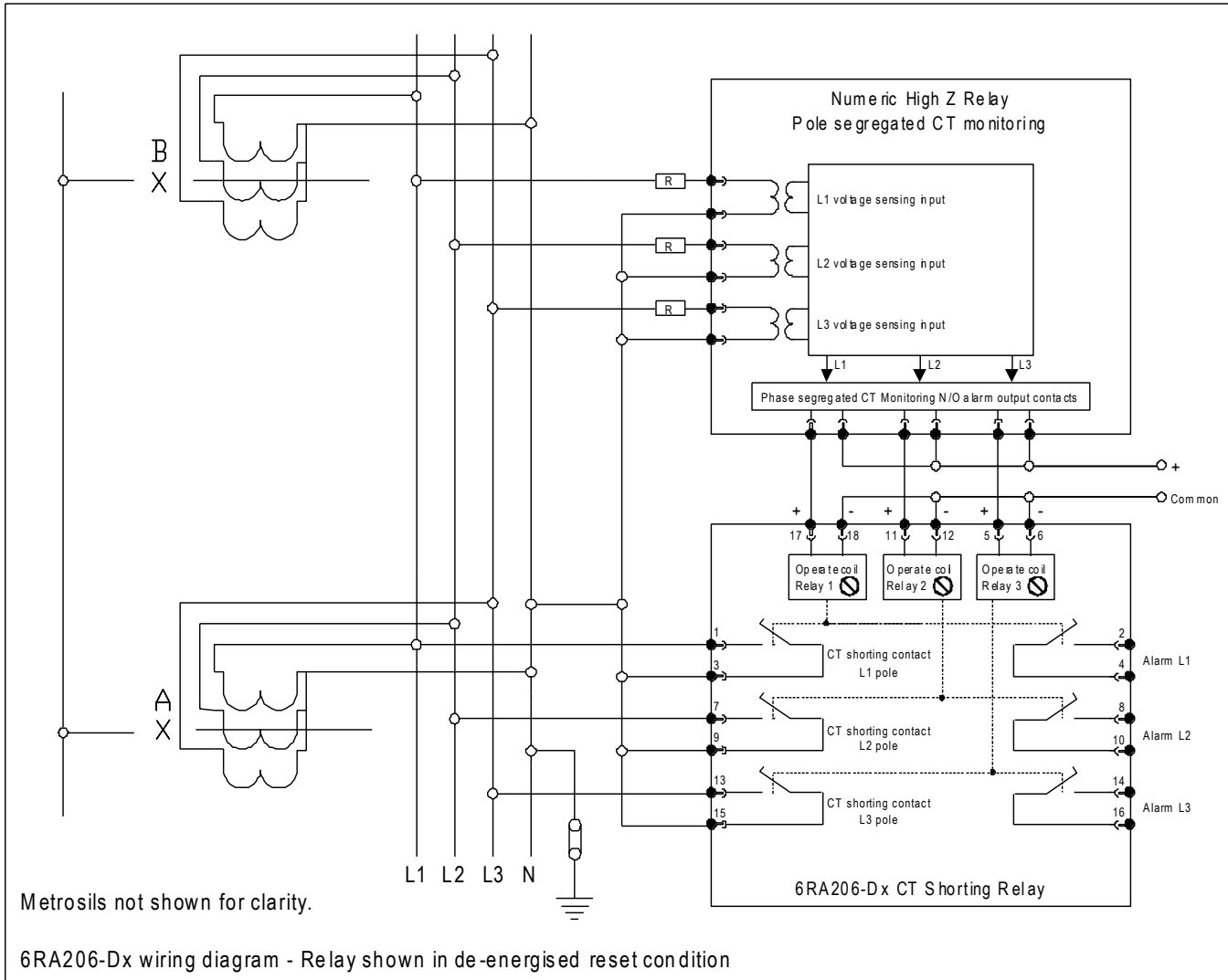
AMBIENT OPERATING TEMPERATURE RANGE

-10 to 55 degrees C

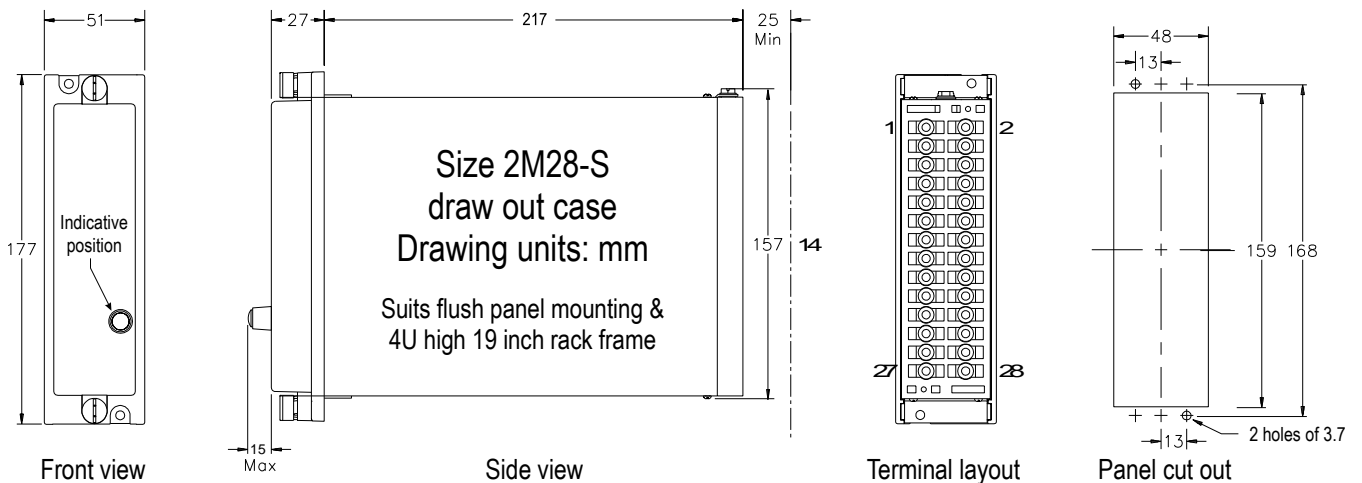
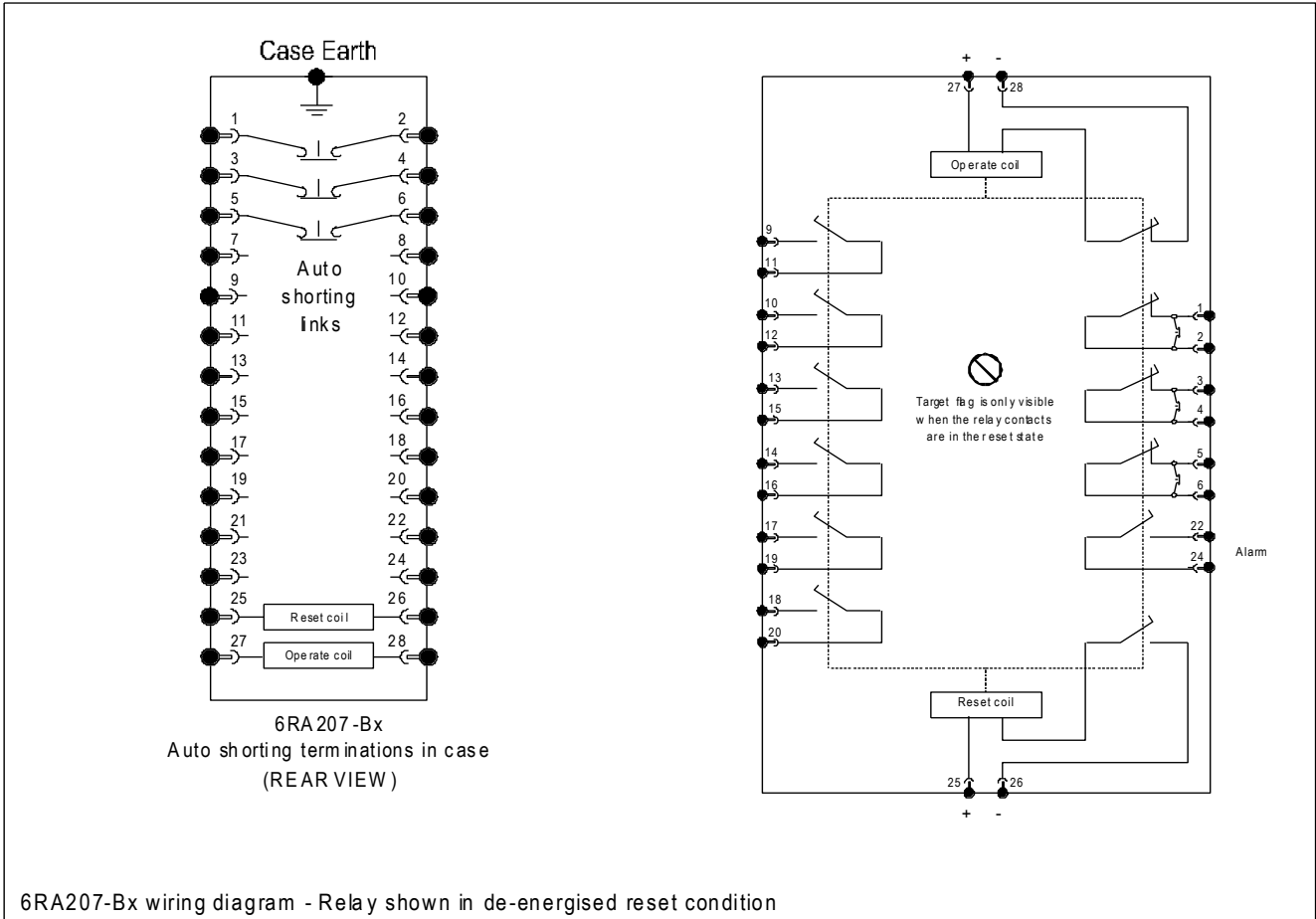
3 Pole Common 6RA206 Hand Reset Version



Phase Segregated 6RA206 Hand Reset Version



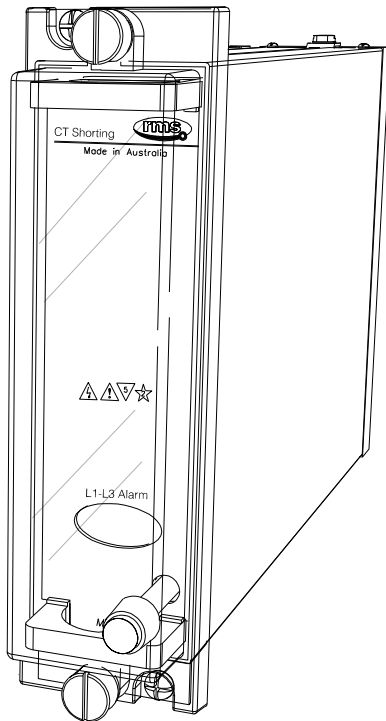
3 Pole Common 6RA207 Electrically Reset Version



Ordering Information

Generate the required order code follows: e.g. 6RA206-BE

General Type	Order Code			
	1	2	3	4
6RA20	-			



6RA206-Bx depicted in a 2M28 case

1 CONTACT OPERATION

- 6 Hand reset
- 7 Electrically reset

2 FUNCTION

- B 3 pole common CT shorting
- D Phase segregated CT shorting (Type 6RA206 only)

3 NOMINAL OPERATE VOLTAGE

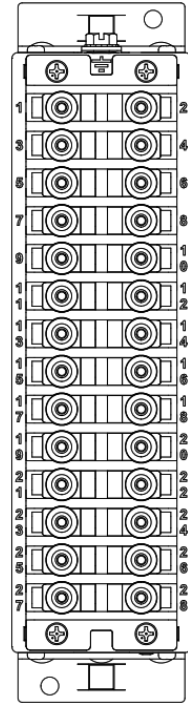
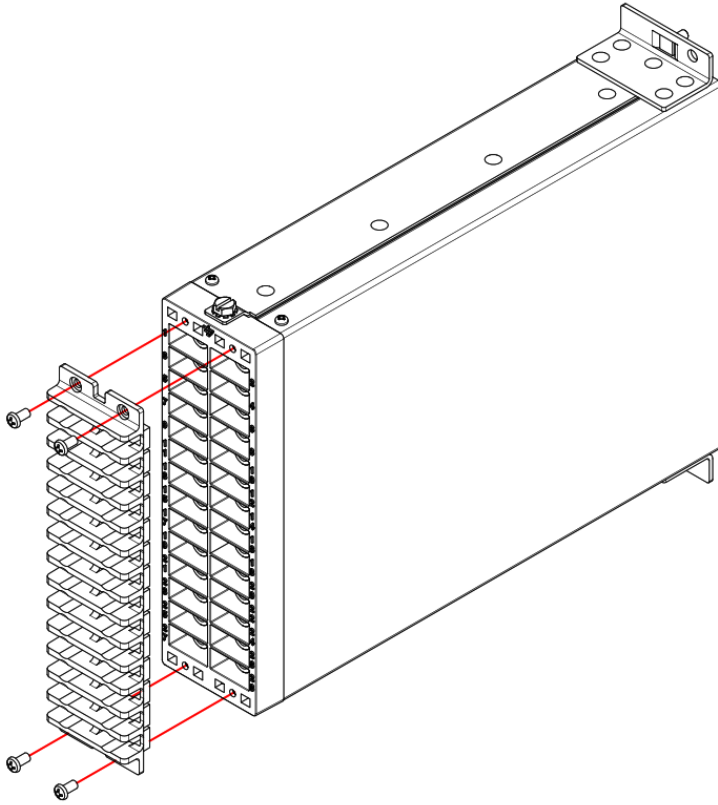
- A 24V DC
- B 30V DC
- C 48V DC
- D 110V DC
- E 125V DC
- F 250V DC
- G 220V DC

4 NON STANDARD PARAMETERS

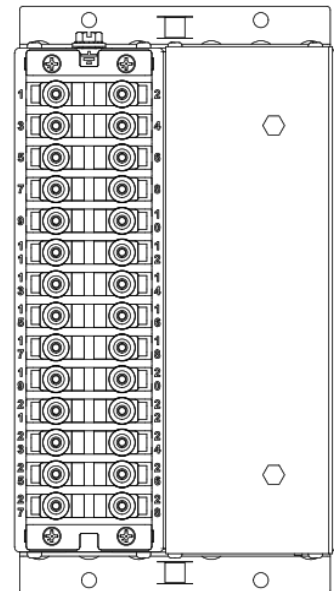
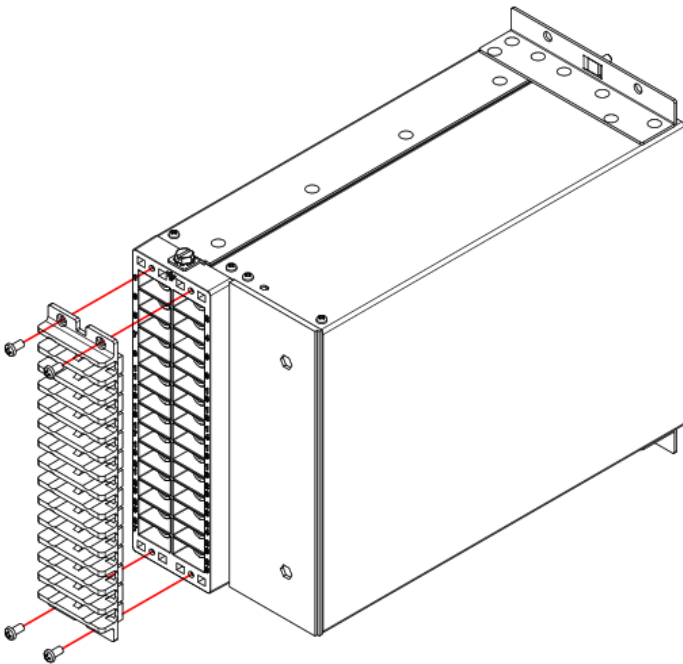
- None
- IP2X With IP2X terminal cover

Refer to Appendix 1 for further detail on IP2X terminal covers.

Appendix 1

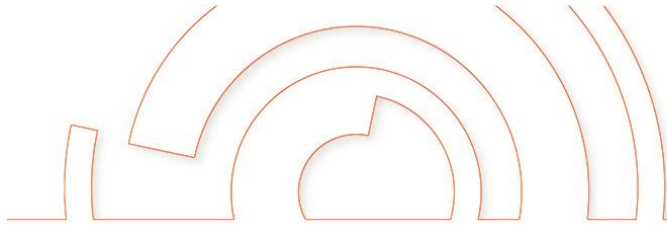


2M28-S Case with IP2X cover



4M28-S Case with IP2X cover

Note: IP2X terminal covers are fitted prior to relay wiring termination.



RMS Mors Smitt
A *Wabtec* Company

RMS Mors Smitt
19 Southern Court
Keysborough, VIC 3173, Australia
Tel: +61 (0)3 8544 1200
sales.rms@wabtec.com



RMS Mors Smitt
A *Wabtec* Company

Wabtec Netherlands B.V.
Darwinstraat 10
6718 XR Ede, Netherlands
Tel: +31 (0)88 600 4500
wnl_salessupport@wabtec.com



Visit www.morssmitt.com/rms for the latest product information.
Due to RMS continuous product improvement policy this information is subject to change without notice

