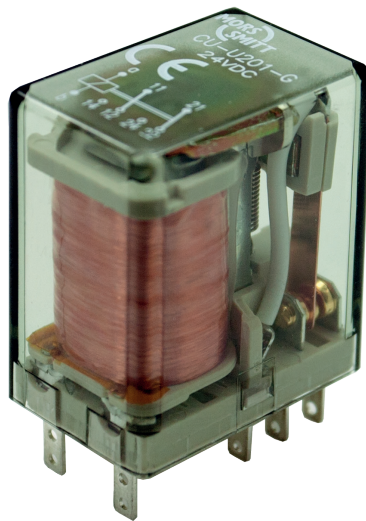


CU/CP-U200-G relay - Miniature, 2-pole

Datasheet



Features

- Miniature plug-in / PCB relay
- Instantaneous 2 C/O contacts
- Weld-no-transfer contacts
- Optional built-in LED (red or green colour)
- Flat, square and tin plated relay pins for excellent socket connection / PCB mounting pins
- Wide range sockets
- Transparent cover
- High insulation because of flash barrier
- Optional positive mechanical keying relay to socket

Benefits

- Proven reliable
- Long term availability
- Easy to maintain
- Used in safety critical applications
- Low life cycle cost
- No maintenance

Railway compliancy

- EN 50155 Electronic equipment used on rolling stock for railway applications
- IEC 60571 Electronic equipment used on railway vehicles
- IEC 60077 Electrical equipment for rolling stock in railway applications
- IEC 60947 Low voltage switch gear and control gear
- IEC 61373 Rolling stock equipment - Shock and vibration test
- EN 50121 Electromagnetic compatibility for railway applications
- NF F 16-101/102, EN 45545-2 Fire behaviour - Railway rolling stock
- IEC 60529 European standard describes the protection class (IP-code)
- NF F 62-002 On-off contact relays and fixed connections

Description

Miniature railway relay with two change-over contacts. The contacts are weld-no-transfer contacts: they are mechanically forced in the same position. Standard with high insulation because of flash barrier. Relay for plug-in mounting (CU version) or for PCB mounting (CP version).

Optional built-in LED (red or green colour) to indicate presence of power supply and energizing of the coil. (only CU)

The construction of the relay and choice of materials makes the CU/CP-U200-G relay suitable to withstand corrosive atmospheres, low and high temperatures, shock & vibrating and dry to very humid environments.

With a very compact design and a wide range of sockets, the CU/CP-U200-G relay is an easy and flexible solution to use.

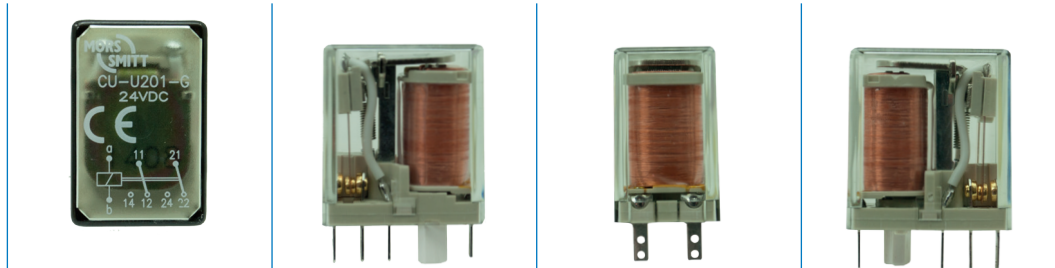
Application

These relay series are designed for rolling stock applications where available space is limited.

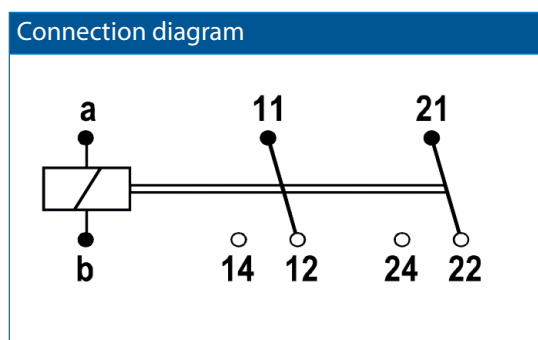
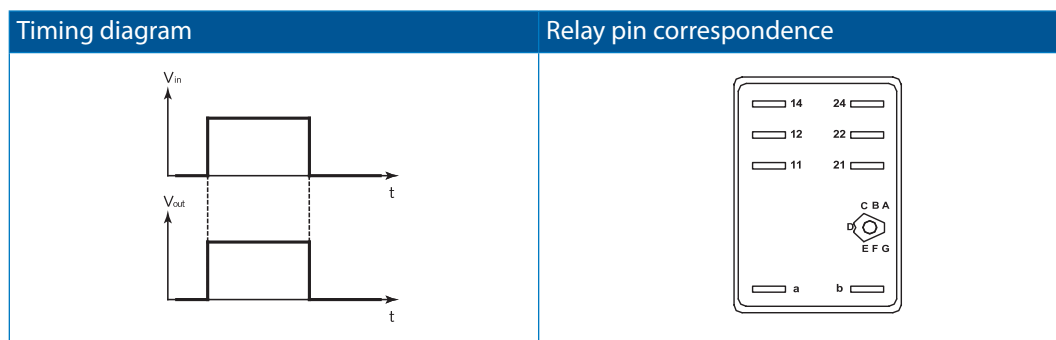


CU/CP-U200-G

Technical specifications



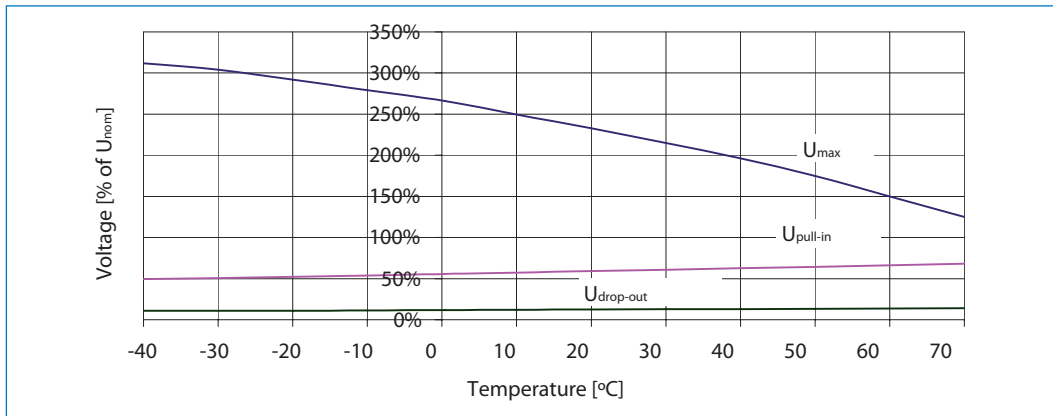
Functional and connection diagrams



CU/CP-U200-G

Technical specifications

Operating range at various temperatures



Coil characteristics

Operating times at nominal voltage (typical value):	
Pull-in time	≤ 15 ms
Release time	≤ 4 ms
Bounce time N/O contacts	≤ 1 ms
Bounce time N/C contacts	≤ 1 ms
Inductance L/R at U _{nom}	6 ms
Nominal power consumption	0.4 W
	Exception: 0.55 W for U _{nom} = 110 VDC
Operating voltage range	70 %...125 % U _{nom}

Type	U _{nom} (VDC)	U _{min} (VDC)	U _{max} (VDC)	U _{drop-out} (VDC)	R _{coil} (Ω)
CU/CP-U201-G	24	16.8	30	2.4	1550
CU/CP-U202-G	48	33.6	60	4.8	6306
CU/CP-U203-G	72	50.4	90	7.2	11329
CU/CP-U204-G	110	77	137.5	11.0	22630
CU/CP-U205-G	96	67.2	120	9.6	22630
CU/CP-U206-G	12	8.4	15	1.2	300
CU/CP-U207-G	36	25.2	45	3.6	2500

Other types on request

Note: the R_{coil} is measured at room temperature and has a tolerance of ± 10%

Remarks:

- U_{min} is the must-operate voltage at which the relay has picked up in all circumstances (worst-case situation), in practice the relay picks up at a lower voltage
- U_{drop-out} is the must-release voltage at which the relay has dropped-out in all circumstances (worst-case situation), in practice the relay drops out at a higher voltage



CU/CP-U200-G

Technical specifications

Contact characteristics

Amount and type of contacts	2 C/O
Maximum make current	15 A
Maximum continuous current	6 A (AC1 ; IEC 60947)
Maximum switching voltage	300 VDC (then max. current = 300 mA) 250 VAC (then max. current = 2.6 A)
Minimum switching voltage	12 V
Minimum switching current	10 mA
Maximum contact resistance	15 mΩ
Maximum switching capacity	See graph page 5
Material	Ag + 0.2 μm Au (gold flash is only for storage purpose)
Contact gap	0.3 mm
Contact force	> 20 cN

Note : contacts cannot have a different position (Forced contacts, Weld-no-transfer)

Electrical characteristics

Dielectric strength	EN 50155
Pole-Pole	IEC 60255-5 4 kV, 50 Hz
Cont-Coil	IEC 60077 3.5 kV, 50 Hz
Insulation between open contacts	1 kV ; 50 Hz ; 1 min
Pulse Withstanding	IEC 60255-5 5 kV (1.2/50 μs)

Mechanical characteristics

Mechanical life	30 x 10 ⁶ operations
Maximum switching frequency	Mechanical: 3600 ops/h Electrical: 1200 ops/h
Weight	40 g



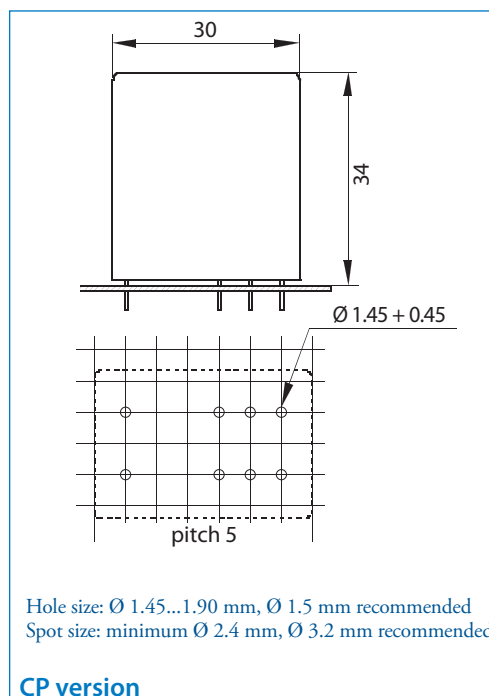
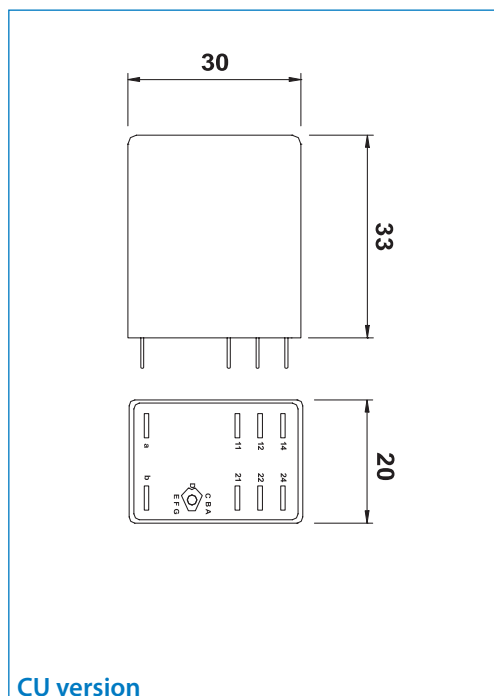
CU/CP-U200-G

Technical specifications

Environmental characteristics

Environmental	EN 50125-1 and IEC 60077-1
Vibration	IEC 61373, Category I, Class B, Body mounted (relay in socket including retaining clip)
Shock	IEC 61373, Category I, Class B, Body mounted (relay in socket including retaining clip)
Operating temperature	-50 °C...+85 °C (-25 °C...+85 °C option E)
Humidity	95% (condensation is permitted temporarily)
Salt mist	IEC 60068-2-11, class ST4
Damp heat	IEC 60068-2-30, Test method Db variant 1
Protection	IEC 60529, IP40 (relay on socket)
Fire & smoke	NF F 16101, NF F16102, EN 45545-2
Insulation materials	Cover: polycarbonate Base: polyester

Dimensions (mm)



CU/CP-U200-G

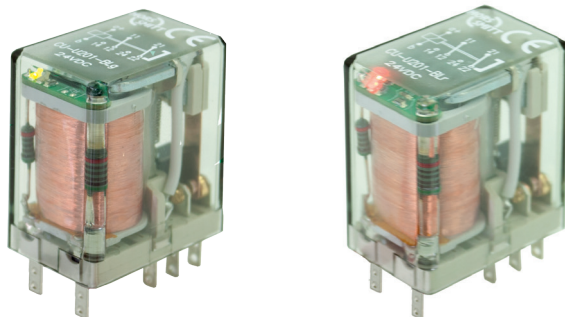
Technical specifications

Options

Code	Description	Remark	Cannot be combined with:
E *	Au; Gold plated contacts (10 µm)		
Lg	Green LED	Only CU version	
Lr	Red LED	Only CU version	

* Gold plated contacts characteristics	
Material	Ag, 10 µm gold plated
Maximum switching voltage	60 V (higher voltages may be possible, contact Mors Smitt for more information)
Maximum switching current	400 mA (at higher rate gold will evaporate, then the standard silver contact rating of minimum 10 mA and 12 V is valid)
Minimum switching voltage	5 V
Minimum switching current	1 mA

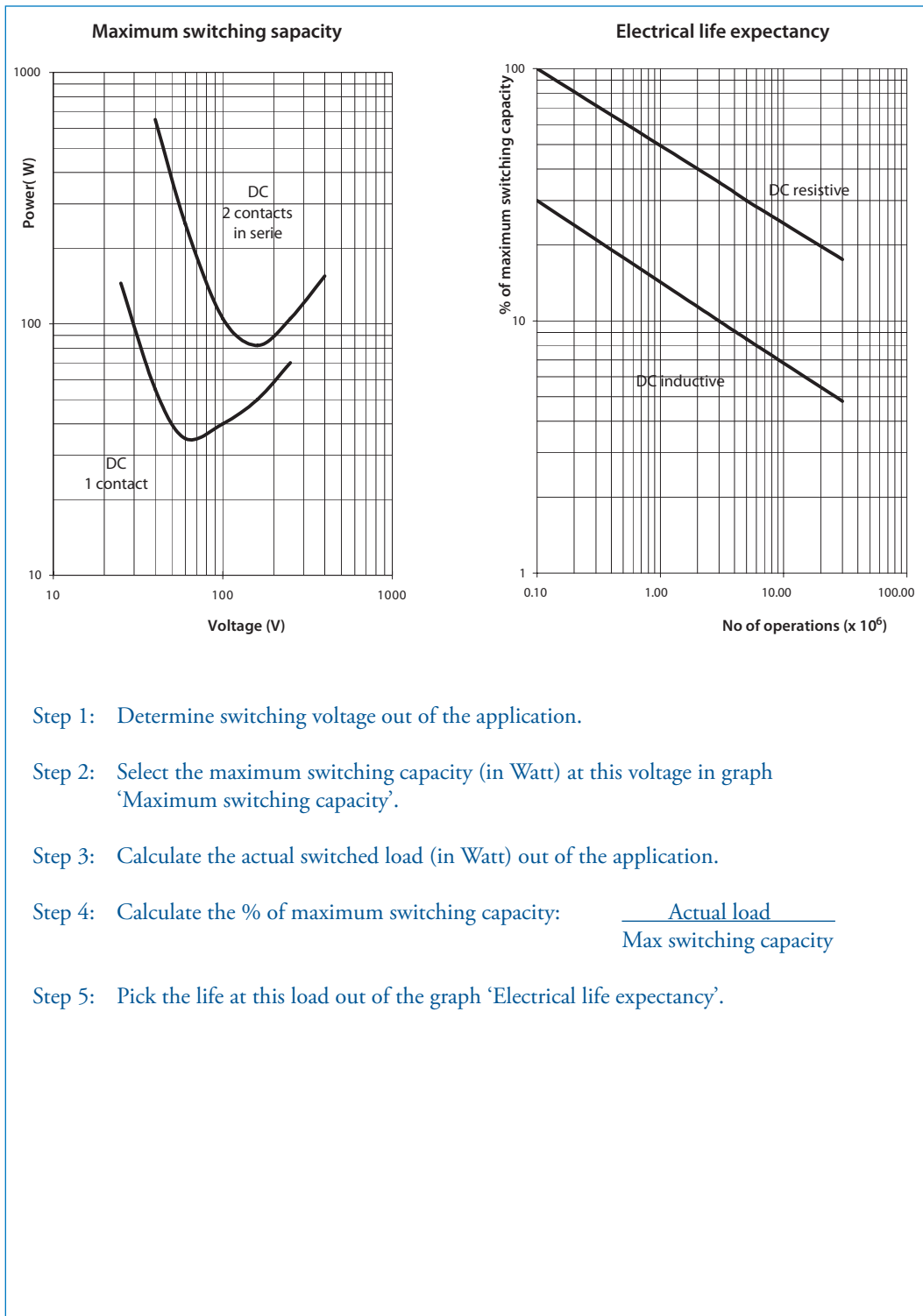
Example LED in CU relays:



CU/CP-U200-G

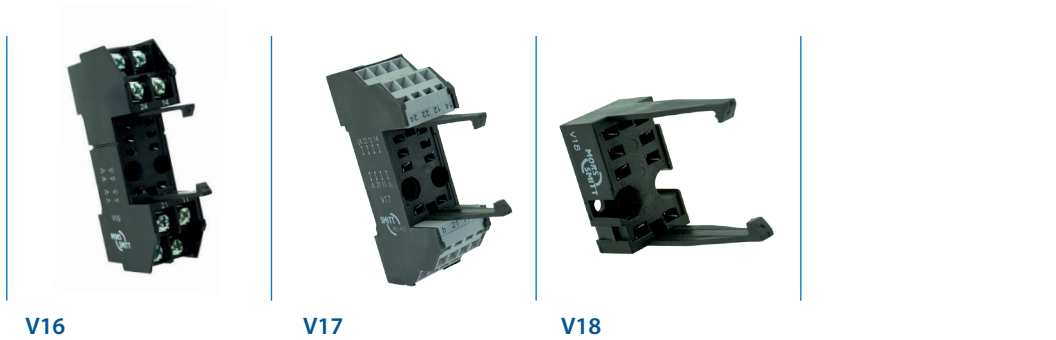
Technical specifications

Switching capacity and contact life



CU/CP-U200-G

Mounting possibilities / sockets



General

The CU/CP relays can be mounted in any position except with the connecting pins pointing upwards.

Relays and sockets are all tested to the IEC 61373. For rail mounting it is recommended to mount the socket with the spring side down (that means contacts 14-12-22-24 upwards).

338001500	V16	Relay socket, screw terminal, front connection
338001400	V17	Relay socket, wall/rail mount, front connection
338000620	V18	Relay socket, for soldering on PCB

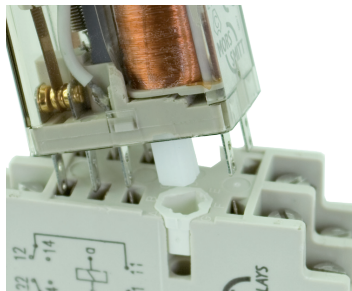
Optional diode /double zener diode in the socket. For details see the datasheets of the sockets on www.morssmitt.com.



CU/CP-U200-G

Keying

Mechanical keying relay and socket (optional)



Function:

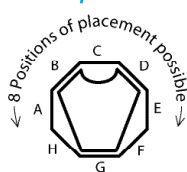
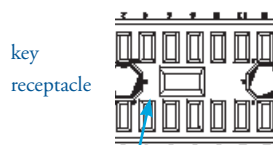
- To prevent wrong installation
- To prevent damage to equipment
- To prevent unsafe situations

Using keyed relays and sockets prevents a relay being inserted in a wrong socket. For example it prevents placing a 24 VDC relay in a 110 VDC circuit. Positive discrimination is possible per different function, coil voltage, timing, monitoring, safety and non-safety.

The CU-Series relay socket keying option gives 8 possibilities. Upon ordering the customer simply indicates the need for the optional keying. Mors Smitt will assign a code to the relay and fix the pins into the relay. The sockets are supplied with loose key receptacles. Inserting the keys into the socket is very simple and self explaining.

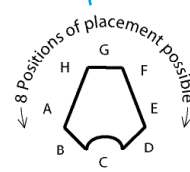
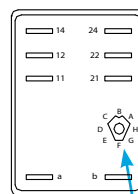
Remark: sockets and relay shown are only examples.

Top view socket



Example keying position F on socket

Bottom view relay



Example keying position F on relay



CU/CP-U200-G

Instructions

Installation, operation & inspection

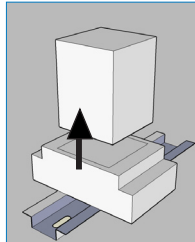
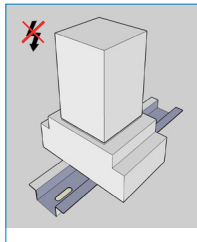
Installation

Before installation or working on the relay: disconnect the power supply first!

Install socket and connect wiring according to the terminal identification. Plug relay into the socket ensuring there is no gap between the bottom of relay and the socket. Reverse installation into the socket is not possible due to the mechanical blocking of the standard keying inside CU relays. Check to ensure that the coil connection polarity is not reversed. Relays can be mounted tightly together to save space.

Warning!

- Never use silicon in the proximity of the relays.
- Do not use the relay in the presence of flammable gas as the arc generated from switching could cause ignition.
- To remove relays from the socket, pull the relay in a straight line out of the socket. Sideway movement may cause damage to the coil wires. When a V17 socket is used, extracting tool A171 (502110000) is required.



Operation

Always use the relay within its specifications. After installation always apply the rated voltage to the coil to check correct operation. Long term storage may corrode the tin plating on the relay pins. When plugging the relay into the socket, the female bifurcated receivers will automatically cut through the corrosion on the pins and guarantee a reliable connection.

Before actual use of relays, it is advised to switch the load several times with the contacts. The contacts will both be electrically and mechanically cleaned due to the positive wiping action. Sometimes a contact can build up increased contact resistance ($\leq 15 \text{ m}\Omega$ when new). When using silver contacts one can clean the contact by switching a contact load a few times using $>24 \text{ VDC}$ & $\sim 2 \text{ A}$. Increased contact resistance is not always problematic, as it depends on circuit conditions. In general a contact resistance of 1Ω is no problem, consult Mors Smitt for more information.

Condensation in the relay is possible when the coil is energised (warm) and the outside, environmental temperature is cold. This is a normal phenomenon and will not affect the function of the relay. Materials in the relay have no hygroscopic properties.

Inspection

Correct operation of the relay can easily be checked as the transparent cover provides good visibility of the moving contacts. If the relay does not seem to operate correctly, check for presence of the appropriate coil voltage and polarity using a suitable multimeter. If coil voltage is present, but the relay does not operate, a short circuit of the suppression diode if present in the socket, is possible (this may be due to the coil connection having been reversed).

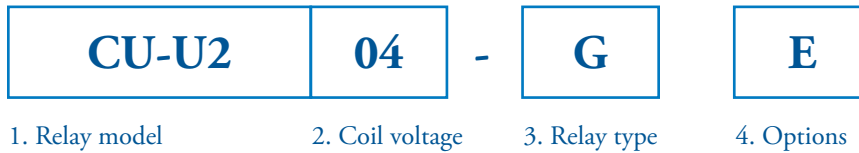
If the relay doesn't work after inspection, replace the relay unit with a similar model. Do not attempt to open the relay cover or try to repair. Contacts are calibrated and in balance, touching can affect proper operation. Also re soldering may affect correct operation.

Most relay defects are caused by installation faults such as over voltage, spikes/transients, high/short current far exceeding the relay specifications. When returning the relays for investigation, please provide all information on the RMA form. Send defective relays back to the manufacturer for repair or replacement. Normal wear and tear or external causes are excluded from warranty.



CU/CP-U200-G

Ordering scheme



This example represents a **CU-U204-GE**.

Description: CU-U200 series relay (plug-in), U_{nom} : 110 VDC, relay type G, gold plated contacts

1. Relay model

CU-U2	Plug-in model
CP-U2	PCB model

2. Coil Voltages

01	24 VDC
02	48 VDC
03	72 VDC
04	110 VDC
05	96 VDC
06	12 VDC
07	36 VDC

3. Relay type

G

4. Options

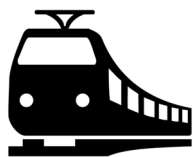
E	Gold plated contacts
Lg	Green LED
Lr	Red LED

Upon ordering indicate keying if necessary





DS-CU/CP-U200-G V1.8 March 2017



www.morssmitt.com



Mors Smitt France SAS

Tour Rosny 2, Avenue du Général de Gaulle,
F - 93118 Rosny-sous-Bois Cedex, FRANCE
T +33 (0)1 4812 1440, 1
E sales.msf@wabtec.com

Mors Smitt Asia Ltd.

29/E, Fun Towers, 35 Hung To Road
Kwun Tong, Kowloon, HONG KONG SAR
T +852 2343 5555, F +852 2343 6555
E sales.msa@wabtec.com

Mors Smitt B.V.

Vrieslantlaan 6, 3526 AA Utrecht,
NETHERLANDS
T +31 (0)30 288 1311
E sales.msbv@wabtec.com

Mors Smitt Technologies Inc.

1010 Johnson Drive,
Buffalo Grove, IL 60089-6918, USA
T +1 847 777 6497, F +1 847 520 2222
E salesmst@wabtec.com

Mors Smitt UK Ltd.

Graycar Business Park, Barton under Needwood,
Burton on Trent, Staffordshire, DE13 8EN, UK
T +44 (0)1283 722650
E sales.msuk@wabtec.com

RMS Mors Smitt Ltd.

6 Anzed Court, Mulgrave,
VIC 3170, AUSTRALIA
T +61 (0)3 8544 1200 F +61 (0)3 8544 1201
E rms@rmspl.com.au

(c) Copyright 2017

All rights reserved. Nothing from this edition may be multiplied, or made public in any form or manner, either electronically, mechanically, by photocopying, recording, or in any manner, without prior written consent from Mors Smitt. This also applies to accompanying drawings and diagrams. Due to a policy of continuous development Mors Smitt reserves the right to alter the equipment specification and description outlined in this datasheet without prior notice and no part of this publication shall be deemed to be part of any contract for the equipment unless specifically referred to as an inclusion within such contract. Mors Smitt does not warrant that any of the information contained herein is complete, accurate, free from potential errors, or fit for any particular purpose. Mors Smitt does not accept any responsibility arising from any party's use of the information in this document.