

# COR NJ socket

## Datasheet



### Description

The COR NJ socket has single faston 5 x 0.8 mm faston terminals are required for proper connection.

The COR NJ socket is equipped with a wire locking spring. Keying rivets are provided installed on the socket with matching relay keying.

The COR NJ socket is suitable for all C-type relays and modules.

### Application

The COR NJ socket is designed for panel mount of relays and modules with single faston rear connection.

### Features

- Rear connection, with single faston 5 mm
- No internal soldering / connections
- For panel mount
- Wire locking spring
- COR NJ suitable for all C-relays and modules (C, SC, CM)
- -40 °C...+80 °C operating temperature

### Benefits

- Proven reliable
- Long life cycle
- Easy to maintain and replace
- Low life cycle cost
- No maintenance

### Railway compliancy

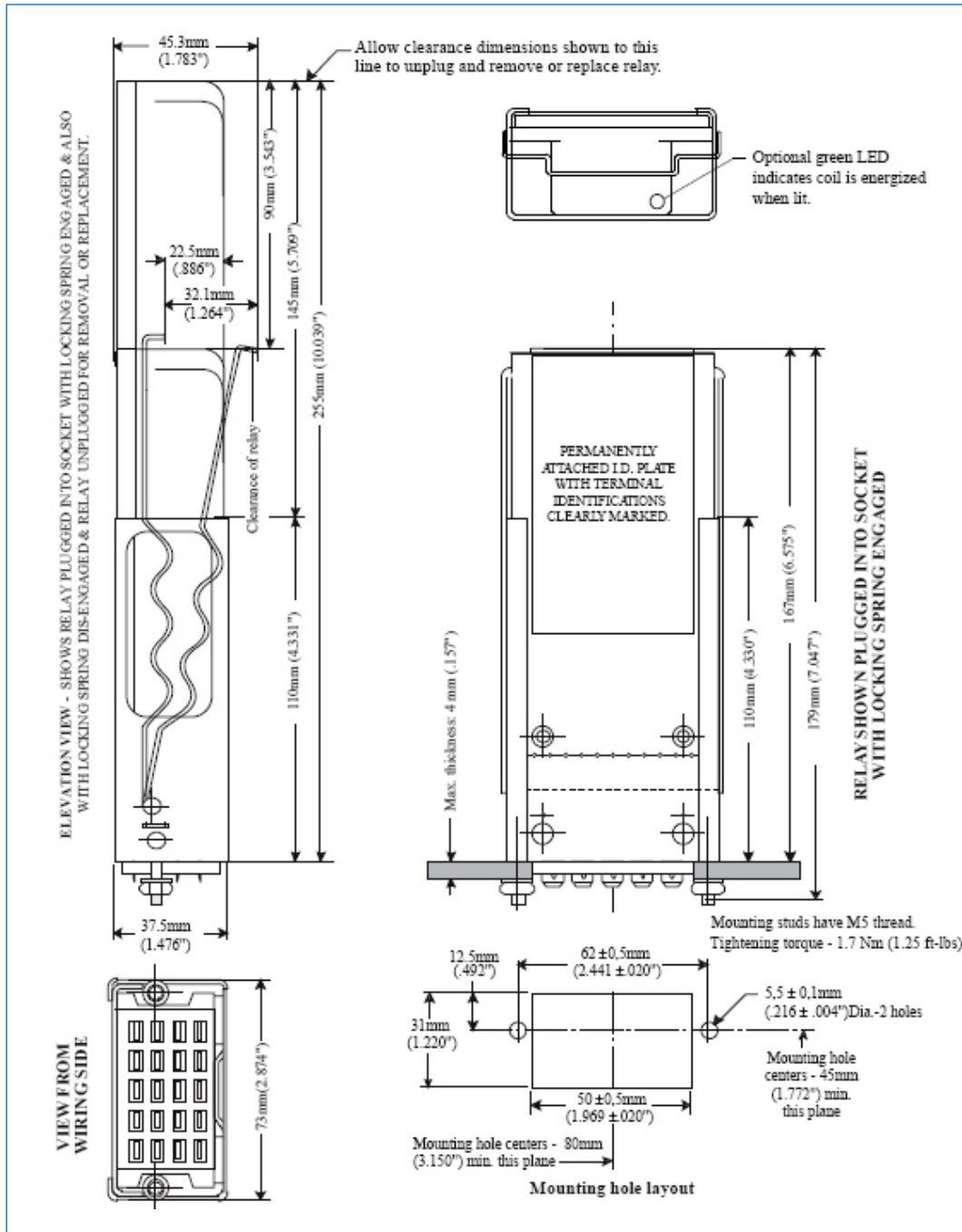
- NF F 62-002 Rolling stock - Instantaneous relay contacts and sockets
- NF F 16-101/102 Fire behaviour - Railway rolling stock



# COR NJ socket

## Technical specifications

### Dimensions (mm)



# COR NJ socket Keying

## Keying explanation

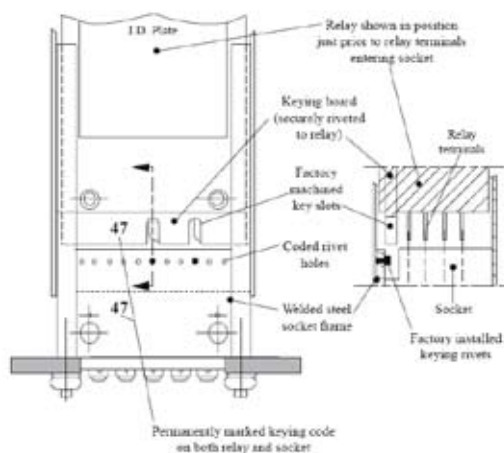
Mechanical keying of the relay to the socket is accomplished during manufacturing.

Keying slots are located by their keying code numbers on the relay board. Keying rivets are located in the steel frame in the correct (and corresponding) coded rivet holes to mate with the relay.

Once keying has been completed during manufacture, it is permanent and cannot be changed. This is intentional in the design to ensure that only the correct relay can be plugged into the socket.

The keying is completed by a color code on the top of the relay cover and on the side of the socket for better identification on the train.

The keying details:



# COR NJ socket

## Technical specifications

### Mechanical characteristics

|        |       |
|--------|-------|
| Weight | 200 g |
|--------|-------|



# COR NJ socket

## Ordering scheme

COR NJ

1. Socket model

5F

2. Keying type  
optional

This example represents a **COR NJ 5F**

**Description:** COR NJ 5F socket for C 1019 relay

1. Relay model

COR NJ

2. Keying

xx rivets installed in the socket





Mors Smitt France SAS

Tour Rosny 2, Avenue du Général de Gaulle,  
F - 93118 Rosny-sous-Bois Cedex, FRANCE  
T +33 (0)1 4812 1440, F +33 (0)1 4855 9001  
E [sales@msrelais.com](mailto:sales@msrelais.com)

Mors Smitt Asia Ltd.

# 807, Billion Trade Centre, 31 Hung To Road  
Kwun Tong, Kowloon, HONG KONG SAR  
T +852 2343 5555, F +852 2343 6555  
E [info@morssmitt.hk](mailto:info@morssmitt.hk)

Mors Smitt B.V.

Vrieslantlaan 6, 3526 AA Utrecht,  
NETHERLANDS  
T +31 (0)30 288 1311, F +31 (0)30 289 8816  
E [sales@nieaf-smitt.nl](mailto:sales@nieaf-smitt.nl)

Mors Smitt Technologies Inc.

420 Sackett Point Road  
North Haven, CT 06473, USA  
T +1 (203) 287 8858, F +1 (888) 287 8852  
E [mstechnologies@msrelais.com](mailto:mstechnologies@msrelais.com)

Mors Smitt UK Ltd.

Doulton Road, Cradley Heath  
West Midlands, B64 5QB, UK  
T +44 (0)1384 567 755, F +44 (0)1384 567 710  
E [info@morssmitt.co.uk](mailto:info@morssmitt.co.uk)