

Datasheet

Product **D3a2-136-B**

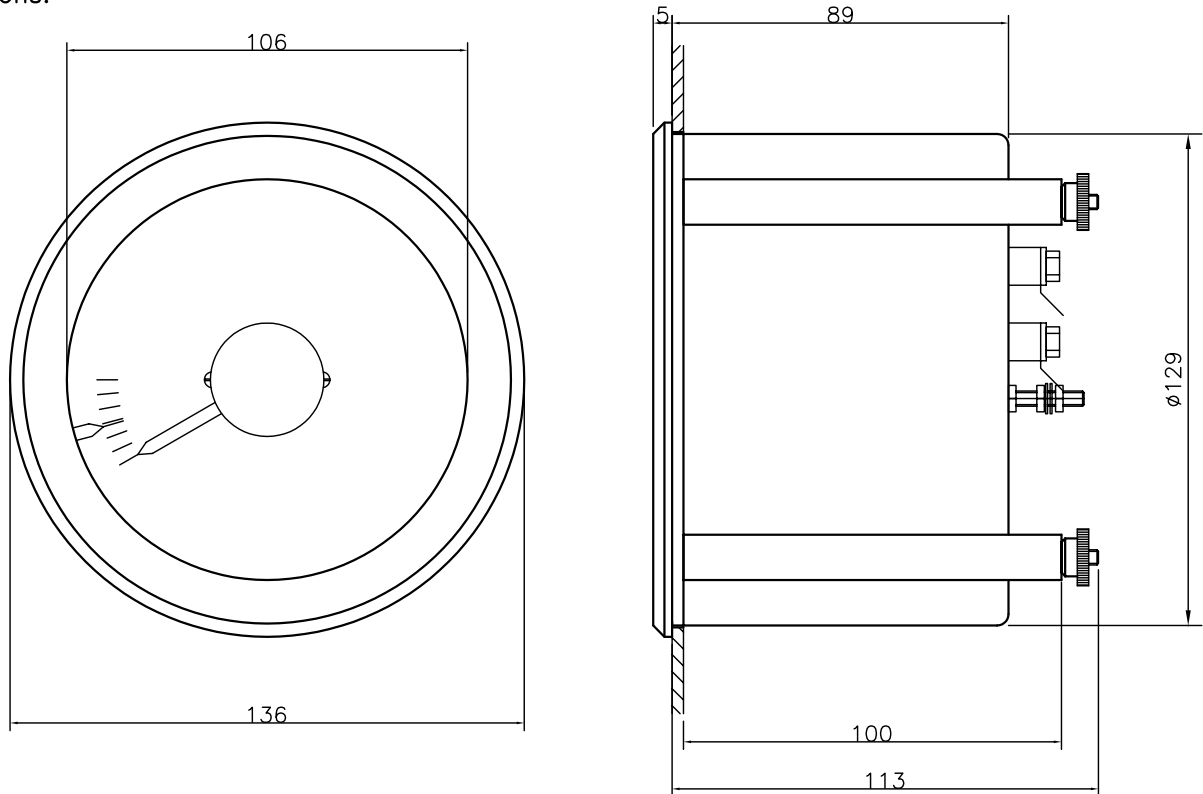


Po Box 7023, 3502 KA Urecht Holland
Tel: +31(0)30-2881311, Fax: +31(0)30-2898816

Brand Name: MORS-SMITT
Country of origin: HOLLAND

Description: Round panelmeter for railway applications, double pointer

Dimensions:



General specifications

Accuracy : 1.5% F.S.D.
 additional 0.75%/10°C

Operating temp. : -25°C ... +70°C

Humidity : at 40°C max. 95%

Protection : front IP54
 rear IP50 (terminals IP00)

Vibrations : 5...150 Hz, 2g random 3 x 5 h acc. EN 61373 (50155)

Shock : acc. EN 61373

Test voltage : 2kV

Illumination : LEDS, Any voltage between 24 and 110 V AC or DC

Scale and pointer : Black scale, white pointer and figures

Terminals : Movement: M5, illumination: faston 6,3x0,8
 Signal Led's: screw terminals

Glass : low-reflection

Panel-mounting : with two brackets, panelcutout $\varnothing 130+1$

International standards

IEC 571
EN 60051
EN 50155
EN 50121

Movement signal

0...20 mA
4...20 mA
0...2,5 mA
0...10 V
other inputs on request
zero left or middle

Options

White scale with black pointer and printing

Pointers yellow or red

Brand label on scale

Red-line marking(s) on the scale

Coloured band(s) on the scale

Built in km-counter (not resetable)

Codes

B : acc. EN50155 (standard)

xL : Signal Led's (on request)
 x = number of Led's

W : White scale

T : km-counter