
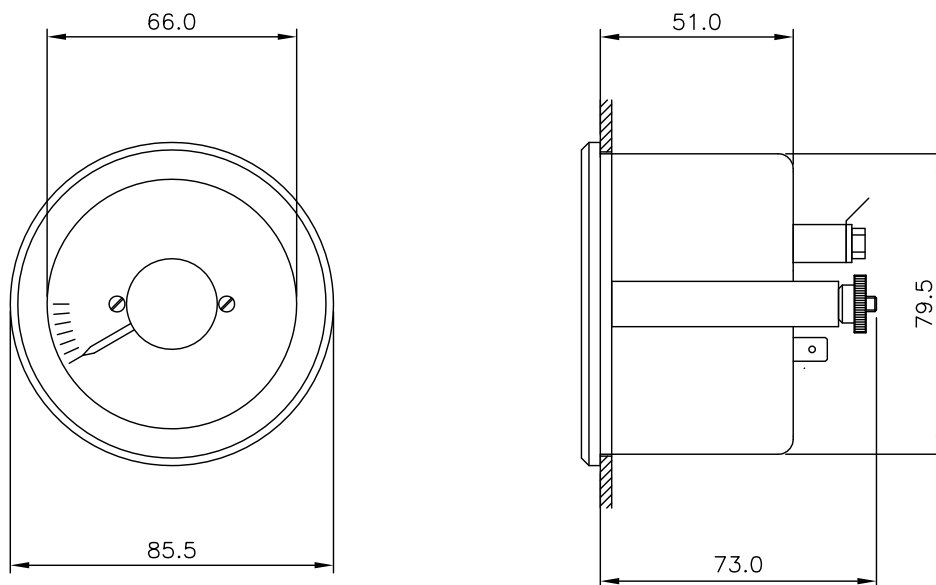


Datasheet	Product D3a85-B	
Po Box 7023, 3502 KA Urecht Holland Tel: +31(0)30-2881311, Fax: +31(0)30-2898816	Brand Name: MORS-SMITT Country of origin: HOLLAND	
Description: Round panelmeter for railway applications, single pointer		

Dimensions:



General specifications

Accuracy	: 1.5% F.S.D. 0.75%/10°C
Operating temp.	: -25°C ... +70°C
Humidity	: at 40°C max. 95%
Protection	: front IP54 rear IP50 (terminals IP00)
Vibrations	: 5...150 Hz, 2g random 3 x 5 h acc. EN 61373 (50155)
Shock	: acc. EN 61373
Test voltage	: 2kV
Illumination	: LEDS, Any voltage between 24 and 110 V AC or DC
Scale and pointer	: Black scale, white pointer and figures
Terminals	: Movement: M5, illumination: faston 6,3x0,8
Glass	: low-reflection
Panel-mounting	: with one bracket, panel cutout 80,5 mm

International standards

IEC 571
EN 60051
EN 50155
EN 50121

Movement signal

0...20 mA
4...20 mA
0...2,5 mA
0...10 V
other inputs on request
zero left or middle

Options

White scale with black pointer and printing
Pointer yellow or red
Brand label on scale
Red-line marking(s) on the scale
Coloured band(s) on the scale

Codes

B : acc. EN50155 (standard)
W : White scale
C : Temperature range -50°C...+70°C
T : km-counter