

Datasheet

Product **D3v2-144S-B**

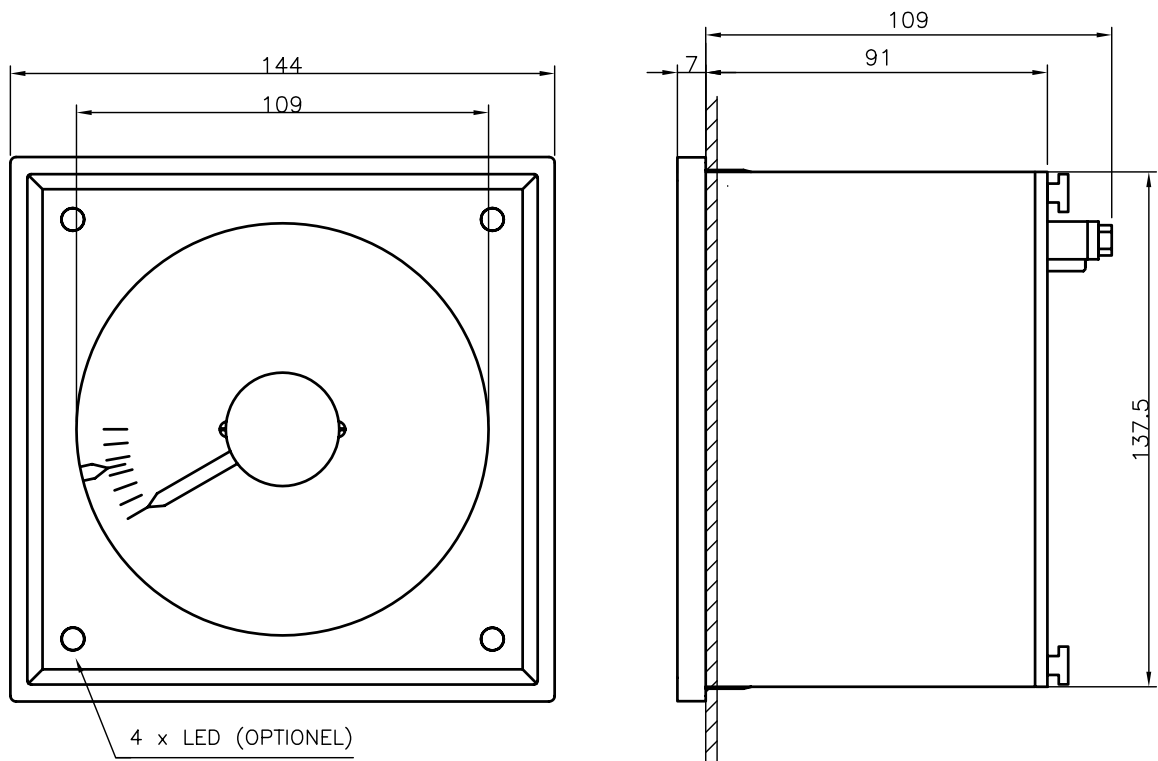


Po Box 7023, 3502 KA Urecht Holland  
Tel: +31(0)30-2881311, Fax: +31(0)30-2898816

Brand Name: MORS-SMITT  
Country of origin: HOLLAND

Description: Round panelmeter for railway applications, double pointer

Dimensions:



### General specifications

Accuracy : 1.5% F.S.D.  
0.75%/10°C

Operating temp. : -25°C ... +70°C

Humidity : at 40°C max. 95%

Protection : front IP54  
rear IP50 (terminals IP00)

Vibrations : 5...150 Hz, 2g random 3 x 5 h acc. EN 61373 (50155)

Shock : acc. EN 61373

Test voltage : 2kV

Illumination : LEDS, Any voltage between 24 and 110 V AC or DC

Scale and pointer : Black scale, white pointer and figures

Terminals : Movement: M5, illumination: faston 6,3x0,8  
Signal Leds: screw terminals

Glass : low-reflection

Panel-mounting : with four springs, panel-cutout 138x138 +1 mm

### International standards

IEC 571  
EN 60051  
EN 50155  
EN 50121

### Movement signal

0...20 mA  
4...20 mA  
0...2,5 mA  
0...10 V  
other inputs on request  
zero left or middle

### Options

White scale with black pointer and printing  
Pointers yellow and red  
Brand label on scale  
Red-line marking on the scale  
Coloured band on the scale  
Built in km-counter (not resetable)

### Codes

B : acc. EN50155 (standard)  
xL : Signal Led's (on request)  
x = number of Leds  
W : White scale  
T : km-counter