

# 2C73 Setting Guide

## High Impedance Differential Relay

relay monitoring systems pty ltd

### Advanced Protection Devices



QF890 Issue G (16/03/2004)

## 1. INTRODUCTION

This document provides guidelines for the performance calculations required for high impedance circulating current protection.

## 2. PROCEDURE FOR PERFORMANCE CALCULATIONS

### 2.1 Data Required

#### 2.1.1 System Information

- i) Maximum through fault level,  $S_{tf}$ .
- ii) System voltage,  $V_{sys}$ .
- iii) Minimum fault current,  $I_{min}$ .
- iv) Circuit breaker short circuit rating,  $I_{cb}$ .
- v) Maximum through fault current,  $I_{tf} = S_{tf} / (\sqrt{3} \times V_{sys})$ .

#### 2.1.2 Current Transformer Information

The CTs used in this type of scheme should be of the high accuracy and low leakage reactance type.

1. All the current transformers should have identical turns ratio.
  2. The knee point voltage of the current transformers should be at least twice the relay setting voltage. The knee point voltage is expressed as the voltage at fundamental frequency applied to the secondary circuit of the current transformer which when increased in magnitude by 10% causes the magnetizing current to increase by 50%.
  3. The current transformers should be of the low leakage reactance type. Class 'PX' current transformers to IEC60044 meet the above requirements and this type are recommended.
- i) CT turns ratio,  $T$ .
  - ii) CT secondary resistance,  $R_{CT}$ .
  - iii) CT knee-point voltage,  $V_K$ .
  - iv) CT magnetizing characteristic, VI curve.
  - v) CT lead loop resistance,  $R_L$ .

The CT lead resistances can be calculated from the layout drawings. In the worst case a maximum lead resistance can be estimated from the figures below.

2.5mm<sup>2</sup> wire = 7.6Ω/km = 0.0076Ω/m  
4.0mm<sup>2</sup> wire = 4.2Ω/km = 0.0042Ω/m  
6.0mm<sup>2</sup> wire = 3.0Ω/km = 0.0030Ω/m

### 2.1.3 Protection Relay Information

- i) Operating current or current setting range,  $I_s$ .
- ii) Operating voltage or relay burden expressed in voltage,  $V_r$ .

### 2.2 Relay Setting Voltage

The protection relay must remain stable under maximum through fault conditions, when a voltage is developed across the protection due to the fault current. The relay setting voltage must be made equal or greater than this maximum voltage for the protection to remain stable.

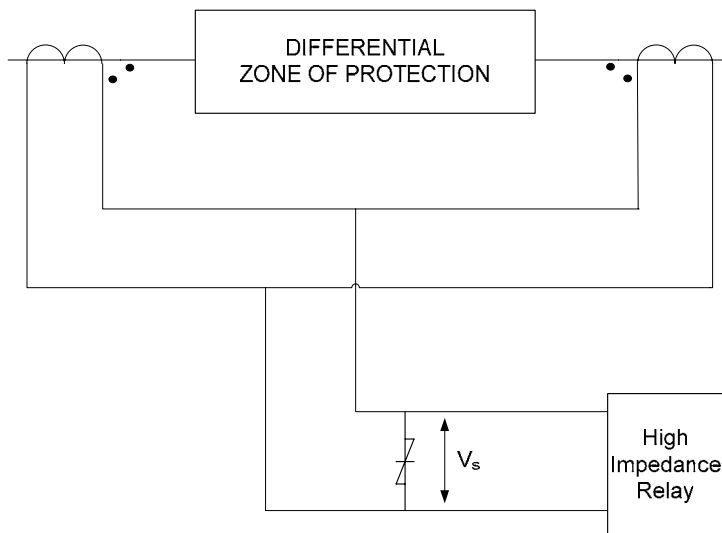
That is:

$$V_s > V_{stab} \dots(1)$$

where,

$V_s$  = relay setting voltage.

$V_{stab}$  = stability voltage.



The fault current may contain a transient d.c. component current which can cause saturation of the current transformer core and thus distortion of the secondary current. Therefore in order to calculate the required setting voltage, it is assumed that one of the protection CT's saturates.

Under these conditions the healthy CT's are driving current through the parallel impedance of the saturated CT with leads and the protection relay. The saturated CT impedance is represented by its secondary winding resistance, and the maximum lead loop resistance between the CT and the relay must also be considered.

For the simple case of two current transformers, the voltage developed across the relay is given by:

$$V_{stab} = I_{ff} \times T \times (R_{CT} + R_L) \dots(2)$$

where,

- $V_{stab}$  = stability voltage.
- $I_{ff}$  = maximum through fault current.
- $T$  = CT turns ratio.
- $R_{CT}$  = CT secondary winding resistance.
- $R_L$  = CT lead loop resistance.

In most practical systems where more than two current transformers exist, the same equation is used based on the fact that this represents the most onerous condition.  $R_L$  is chosen for the longest distance between any two CT's in parallel.

For reliable in zone operation the relay setting voltage should be less than half of the knee point voltage of any CT in the protection scheme.

That is:

$$V_s < V_K / 2 \dots(3)$$

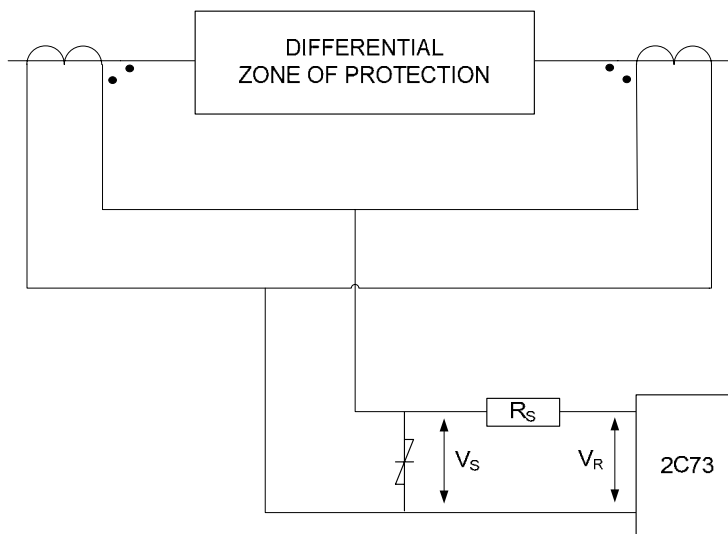
where,

- $V_s$  = relay setting voltage.
- $V_K$  = CT knee point voltage.

The criteria outlined above establishes maximum and minimum values for the relay setting voltage.

### 2.3 Stabilising Resistor

The relay voltage setting range may not be sufficient to be set to the required level of  $V_s$  as calculated previously, due to the relay's low burden. In such cases a 'stabilising' resistor is provided in series with the relay to increase the relay circuit setting.



The resistor is sized as follows:

$$V_s - V_r = I_s R_s \dots(4)$$

where,

$R_s$  = stabilising resistance required.

$I_s$  = Relay current setting.

$V_r$  = Relay voltage (derived from the relay burden characteristics).

Using the maximum and minimum voltages calculated by (2) & (3), a resistance range is obtained from which a suitable resistor can be chosen. After which the actual relay circuit setting voltage can be calculated.

## 2.4 Thermal Rating of Resistors

The resistors incorporated in the scheme must be capable of withstanding the associated thermal conditions.

### 2.4.1 Continuous Power Rating

The required continuous power rating of a resistor is defined as:

$$P_{con} = (I_{con})^2 R \dots(5)$$

where,

$P_{con}$  = resistor continuous power rating.

$I_{con}$  = continuous resistor current i.e. the operating current of the relay.

$R$  = resistance.

### 2.4.2 Half-second Power Rating

The resistor must be capable of withstanding the associated power dissipation due to a fault condition.

The rms voltage developed across a resistor for maximum internal fault conditions is defined as:

$$V_f = (V_K^3 \times R \times I_{fs})^{1/4} \times 1.3 \dots(6)$$

where,

$V_f$  = rms voltage across resistor.

$V_K$  = CT knee point voltage.

$R$  = resistance.

$I_{fs}$  = maximum secondary fault current which can be calculated from the circuit breaker rating,  $I_{cb}$ , if the maximum internal fault current is not given. The maximum internal fault current is usually the same as the maximum through fault current.

The half-second power rating is given by:

$$P_{\text{half}} = V_f^2 / R \dots(7)$$

where,

- $P_{\text{half}}$  = half-second power rating.
- $V_f$  = rms voltage across resistor.
- $R$  = resistance.

## 2.5 Voltage Limiting Resistor

The previous calculations produced a voltage setting for through fault stability, now the case for an internal fault needs to be considered. The maximum primary fault current will cause high voltage spikes across the relay at instants of zero flux since a practical CT core enters saturation on each half-cycle for voltages of this magnitude.

If this voltage exceeds 3kV peak then it is necessary to suppress the voltage with a non linear resistor (Metrosil) in a shunt connection which will pass the excess current as the voltage rises.

The formula to calculate this voltage is:

$$V_{\text{pk}} = 2 \times (2V_k [V_{\text{fs}} - V_k])^{1/2} \dots(8)$$

where,

- $V_{\text{pk}}$  = peak value of the voltage waveform.
- $V_k$  = CT knee point voltage.
- $V_{\text{fs}}$  = value of voltage that would appear if CT did not saturate.

$$V_{\text{fs}} = (I_{\text{f}} / N) \times (R_s + R_r) \dots(9)$$

- $R_r$  = is relay resistance

The Metrosil must be chosen to match the relay circuit setting voltage (i.e. its characteristic must not change significantly until beyond the relay setting  $V_s$ ) and it must be capable of passing the maximum prospective fault current that can be transformed by the CT.

The type of Metrosil required is chosen by its thermal(energy) rating as defined by the formula:

$$P = (4 / \pi) \times I_{\text{fs}} \times V_k \dots(10)$$

where,

- $P$  = thermal metrosil rating, Joules
- $\pi$  = pi = 3.14159265.
- $I_{\text{fs}}$  = maximum secondary fault current which can be calculated from the circuit breaker rating,  $I_{\text{cb}}$ , if the maximum internal fault current is not given. The maximum internal fault current is usually the same as the maximum through fault current.
- $V_k$  = CT knee point voltage.

There are two types of Metrosil available the 3 inch type with a maximum rating of 8kJ/s and the 6 inch type with a maximum rating of 33kJ/s.

A 6" Metrosil is recommended as standard with 2C73.

## 2.6 Primary Fault Setting

The primary operating current or fault setting may be calculated from:

$$I_p = (nI_e + I_s + I_{nlr}) / T \dots(11)$$

where,

- $I_p$  = primary fault setting.
- $n$  = number of CTs in parallel.
- $I_e$  = exciting current of each CT at the relay circuit setting voltage (assuming all CTs are identical).
- $I_s$  = operating current of relay at the relay circuit setting voltage.
- $I_{nlr}$  = current in metrosil at the relay circuit setting voltage.
- $T$  = CT turns ratio.

$I_p$  should fall within the recommended fault setting given by the relevant standard, the clients specification or in the absence of these good engineering practice, and be greater than a specified minimum,  $I_m$  (where  $I_m$  is a percentage of the minimum primary fault current,  $I_{min}$ ).

If the calculated primary fault setting  $I_p$  is lower than a specified minimum (i.e. it is too sensitive) small increases can be achieved by increasing the relay setting voltage  $V_s$  and hence increasing the CT exciting current  $I_e$ . Alternatively, when the required increase in fault setting is large, the correct setting can be obtained by connecting a shunt setting resistor.

The current required through the shunt resistor is given by:

$$I_{sh} = I_m T - nI_e - I_s - I_{nlr} \dots(12)$$

where,

- $I_{sh}$  = current through shunt resistor.
- $I_m$  = percentage of the minimum primary fault current  $I_{min}$ .
- $T$  = CT turns ratio.
- $n$  = number of CTs in parallel.
- $I_e$  = exciting current of each CT at the relay circuit setting voltage (assuming all CTs are identical).
- $I_s$  = operating current of relay at the relay circuit setting voltage.
- $I_{nlr}$  = current in non linear resistor at the relay circuit setting voltage.

Therefore, the shunt setting resistance is:

$$R_{sh} = V_s / I_{sh} \dots(13)$$

where,

$R_{sh}$  = shunt resistance.

$V_s$  = relay circuit setting voltage.

$I_{sh}$  = current through shunt resistor.

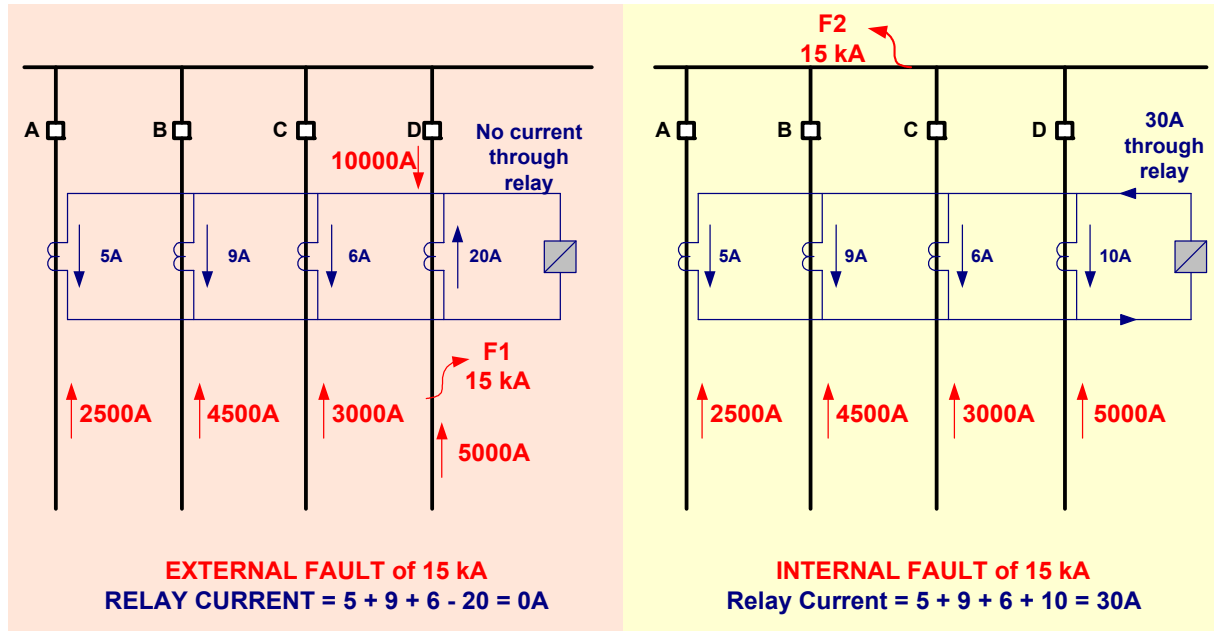


### 3. WORKED EXAMPLE

The following worked example is based on the application shown in figure 1.

Figure 1 - Simplified circulating current scheme

Example shown for:  $I_f = 15\text{kA}$ , C.T. RATIO 500/1, single busbar, 4 circuits



#### 3.1 Data

##### 3.1.1 System Information

- i) Maximum through fault level,  $S_{\text{tf}} = 570\text{MVA}$
- ii) System voltage,  $V_{\text{sys}} = 22\text{kV}$
- iii) Minimum fault current,  $I_{\text{min}} = 2\text{kA}$
- iv) Circuit breaker short circuit rating,  $I_{\text{cb}} = 25\text{kA}$

##### 3.1.2 Current Transformer Information

The CTs are low leakage reactance type having an accuracy class 'PX' in accordance with IEC 60044.

500/1A, 0.05PX200R1.0

- i) CT turns ratio,  $T = 1/500$
- ii) CT secondary resistance,  $R_{\text{CT}} = 1.0\Omega$
- iii) CT knee-point voltage,  $V_K = 200\text{V}$
- iv) CT lead loop resistance,  $R_L = 1.0\Omega$  (assume figure for worst case)

### 3.1.3 Protection Relay Current Setting (2C73)

#### Criteria 1

Class PX CTs are permitted to have a turns ratio error not exceeding  $\pm 0.25\%$ . The relay must not operate for a CT spill condition due to turns ratio error on through faults.

For  $I_{tf} = 15,000A$

$$\begin{aligned} I_{spill} &= [ ( 2 \times \text{turns ratio error} ) / 100 ] \times I_{tf} \times T \\ &= [ ( 2 \times 0.25 ) / 100 ] \times 15,000 \times ( 1 / 500 ) \\ &= 150mA \end{aligned}$$

$$\begin{aligned} I_s &> I_{spill} \\ &> 150mA \end{aligned}$$

#### Criteria 2

The primary operating current of the relay circuit is :

$$I_p = ( nI_e + I_s + I_{nir} ) / T \dots(11)$$

Application is a single busbar with 4 circuits,  $n=4$

Assume CT magnetizing current at setting voltage  $I_e = 20mA$  (refer to CT VI curve for actual figure).

The current passing through the Metrosil at the setting voltage is ignored.

The relay circuit is not to operate at levels  $< 10\%$  of the minimum primary fault current.

i.e.  $10\%$  of  $I_{min} = ( 10 / 100 ) \times 2kA = 200A$

From eqn (11)

$$\begin{aligned} I_s &> ( I_p \times T ) - nI_e - I_{nir} \\ &> ( 200A \times 1 / 500 ) - 4 \times 0.02 \\ &> 320mA \end{aligned}$$

To satisfy Criteria 1 and 2 choose  $I_s = 400mA$

i) The 2C73[B][A][\*] has a 1A CT input with a current setting range of 200 to 800mA with 7 x 10% plug setting steps.  
Select  $I_s = 400mA$

ii) The a.c burden  $< 1.2VA$  at pickup  
Relay voltage is given by  $V_r = VA_{RELAY} / I_s = 1.2 / 0.4 = 3V$  also  $R_r = VA_{RELAY} / ( I_s )^2 = 7.5 \Omega$

### 3.2 Relay Setting Voltage

Primary through-fault current:

$$\begin{aligned} I_{tf} &= S_{tf} / ( \sqrt{3} \times V_{sys} ) \\ I_{tf} &= 570 \times 10^3 kVA / ( \sqrt{3} \times 22kV ) \\ I_{tf} &= 15,000A \end{aligned}$$

To ensure stability for through faults apply eqn (2)

$$\begin{aligned} V_{stab} &> I_{if} \times T \times (R_{CT} + R_L) \dots(2) \\ V_{stab} &> (15000A / 500) \times (1 + 1) \\ &> 60V \end{aligned}$$

From eqn (3)

$$\begin{aligned} V_s &< V_K / 2 \dots(3) \\ V_s &< 200V / 2 \\ &< 100V \end{aligned}$$

Thus to maintain stability for maximum through fault current and reliable operation for an in zone fault :

$$60V < V_s < 100V.$$

### 3.3 Stabilising Resistor

The calculated relay voltage of 3V developed by the 2C73 is insufficient to achieve the derived value of relay setting voltage  $V_s$ , thus a series stabilising resistor is required.

Using eqn (4) a resistance range may be derived

$$V_s - V_r = I_s R_s \dots(4)$$

$$\begin{aligned} \text{For } V_s > 60V \quad \Rightarrow \quad R_s &> (1/I_s) \times (V_s - V_r) \\ R_s &> (1/0.4A) \times (60V - 3V) = 142.5 \Omega \end{aligned}$$

$$\begin{aligned} \text{For } V_s < 100V \quad \Rightarrow \quad R_s &< (1/I_s) \times (V_s - V_r) \\ R_s &< (1/0.4A) \times (100V - 3V) = 242.5 \Omega \end{aligned}$$

Choose  $R_s = 200 \Omega$

Using eqn (4) the relay circuit setting voltage is

$$\begin{aligned} V_s &= I_s R_s + V_r \\ &= 0.4A \times 200 \Omega + 3V \\ &= 83V \end{aligned}$$

### 3.4 Thermal Rating of Stabilising Resistor

#### 3.4.1 Continuous Power Rating

From eqn (5)

$$\begin{aligned} P_{con} &= (I_{con})^2 R \dots(5) \\ P_{con} &= (0.4)^2 \times 200 \Omega \\ &= 32W \text{ continuously} \end{aligned}$$

#### 3.4.2 Half-second Power Rating

From eqn (6)

$$\begin{aligned} V_f &= (V_k^3 \times R \times I_{fs})^{1/4} \times 1.3 \dots(6) \\ V_f &= (200V^3 \times 200 \Omega \times 15,000A / 500)^{1/4} \times 1.3 \\ &= 608 V \end{aligned}$$

From eqn (7)

$$\begin{aligned}
 P_{\text{half}} &= V_f^2 / R \dots(7) \\
 P_{\text{half}} &= 608 \text{ V}^2 / 200 \Omega \\
 &= 1848\text{W for half a second}
 \end{aligned}$$

A 100W or 200W resistor is generally used as standard.

### 3.5 Voltage Limiting Resistor

If the voltage developed across the relay circuit exceeds 3kV peak then it is necessary to suppress the voltage with a non linear resistor (Metrosil) in a shunt connection which will pass the excess current as the voltage rises.

From eqn (9)

$$\begin{aligned}
 V_{\text{fs}} &= ( I_{\text{tr}} T ) \times ( R_s + R_r ) \dots(9) \\
 &= ( 15,000 \text{ A} / 500 ) \times ( 200 \Omega + 7.5 \Omega ) \\
 &= 6,225 \text{ V}
 \end{aligned}$$

From eqn (8)

$$\begin{aligned}
 V_{\text{pk}} &= 2 \times ( 2V_k [ V_{\text{fs}} - V_k ] )^{1/2} \dots(8) \\
 &= 2 \times ( 2 \times 200\text{V} \times [ 6,225\text{V} - 200\text{V} ] )^{1/2} \\
 &= 3,105 \text{ V}
 \end{aligned}$$

The peak value is > 3kV, therefore a non linear resistor is required.

The required energy rating for the non linear resistor is calculated from eqn (10).

$$\begin{aligned}
 P &= ( 4 / \pi ) \times I_{\text{fs}} \times V_k \dots(10) \\
 &= ( 4 / \pi ) \times ( 15,000\text{A} / 500 ) \times 200\text{V} \\
 &= 7.6 \text{ kJ/s}
 \end{aligned}$$

Use of a 3" Metrosil is border line.

A 6" Metrosil is recommended as standard with the 2C73.

## **Australian Content**

Unless otherwise stated the product(s) quoted are manufactured by RMS at our production facility in Melbourne Australia. Approximately 60% of our sales volume is derived from equipment manufactured in house with a local content close to 90%. Imported components such as semi-conductors are sourced from local suppliers & preference is given for reasonable stock holding to support our build requirements.

## **Quality Assurance**

RMS holds NCSI (NATA Certification Services International), registration number 6869 for the certification of a quality assurance system to AS/NZS ISO9001-2008. Quality plans for all products involve 100% inspection and testing carried out before despatch. Further details on specific test plans, quality policy & procedures may be found in section A4 of the RMS product catalogue.

## **Product Packaging**

Protection relays are supplied in secure individual packing cardboard boxes with moulded styrene inserts suitable for recycling. Each product & packing box is labeled with the product part number, customer name & order details.

## **Design References**

The products & components produced by RMS are based on many years of field experience since Relays Pty Ltd was formed in 1955. A large population of equipment is in service throughout Australia, New Zealand, South Africa & South East Asia attesting to this fact. Specific product & customer reference sites may be provided on application.

## **Product Warranty**

All utility grade protection & auxiliary relay products, unless otherwise stated, are warranted for a period of 24 months from shipment for materials & labour on a return to factory basis. Repair of products damaged through poor application or circumstances outside the product ratings will be carried out at the customer's expense.

## **Standard Conditions of Sale**

Unless otherwise agreed RMS Standard Terms & Conditions (QF 907) shall apply to all sales. These are available on request or from our web site.



## **Relay Monitoring Systems Pty Ltd**

6 Anzed Court, Mulgrave, Victoria 3170, AUSTRALIA

Tel: +61 3 8544 1200 Fax: +61 3 8544 1201 Email: [rms@rmspl.com.au](mailto:rms@rmspl.com.au) Web: [www.rmspl.com.au](http://www.rmspl.com.au)