



2V63 User Guide

Sensitive Earth Fault Relay

relay monitoring systems pty ltd

Advanced Protection Devices



User Guide



Test Manual

2V63 User Guide

About This Manual

This User Guide covers all 2V63 relays manufactured from May 2006. Earlier relays do not necessarily incorporate all the features described. Our policy of continuous may means that extra features & functionality may have been added.

The 2V63 User Guide is designed as a generic document to describe the common operating parameters for all relays built on this platform. Some relay applications are described but for specific model information the individual “K” number Product / Test manuals should be consulted.

The copyright and other intellectual property rights in this document, and in any model or article produced from it (and including any Registered or unregistered design rights) are the property of Relay Monitoring Systems Pty Ltd. No part of this document shall be reproduced or modified or stored in another form, in any data retrieval system, without the permission of Relay Monitoring Systems Pty Ltd, nor shall any model or article be reproduced from this document without consent from Relay Monitoring Systems Pty Ltd.

While the information and guidance given in this document is believed to be correct, no liability shall be accepted for any loss or damage caused by any error or omission, whether such error or omission is the result of negligence or any other cause. Any and all such liability is disclaimed.

Contact Us

© Relay Monitoring Systems Pty Ltd 2006-2008
6 Anzed Court • Mulgrave 3170 • AUSTRALIA
Phone 61 3 9561 0266 • Fax 61 3 9561 0277
Email rms@rmspl.com.au • Web www.rmspl.com.au

To download a PDF version of this guide:
http://www.rmspl.com.au/userguide/2v63_user_guide.pdf

To download the model specific Test Manual:
<http://www.rmspl.com.au/search.asp>

How this guide is organised

This guide is divided into five parts:

Part 1 Overview

About this Manual

Contents

Test Manual

Part 2 Mechanical Configuration

Part 3 Technical Bulletin

Part 4 Installation

Handling of Electronic Equipment

Safety

Unpacking

Accessories

Storage & Handling

Equipment Operating Conditions

Relay Dimensions & Other Mounting Accessories

Equipment Connections

Commissioning

Decommissioning & Disposal

Part 5 Maintenance

Mechanical Inspection

Test Intervals

Defect Report Form



Visit www.rmspl.com.au for the latest product information.

Due to RMS continuous product improvement policy this information is subject to change without notice. 2V63_Guide/lss A/29/10/08



Test Manual

This User Guide covers all 2V63 relay versions & describes the generic features & attributes common across all versions.

Different relay versions are required to cater for varying customer requirements such as auxiliary voltage range, I/O configuration, case style, relay functionality etc.

The product ordering code described in the Technical Bulletin is used to generate a unique version of the relay specification & is called a type number. The type number takes the form 2V63Kxx where the Kxx is the “K” or version number.

Refer to: www.rmspl.com.au/handbook/parta3.pdf
for a complete description of the RMS “K” number system.

Each 2V63 version has a specific Test Manual which provides details on the unique attributes of the relay. Each Test Manual includes the following information:

- Test Certificate
- Specific technical variations from the standard model if applicable
- Test & calibration record
- Wiring diagram

A Test Manual is provided with each relay shipped.

If you require a copy of the Test Manual for an RMS product the following options are available:

- Check the RMS web site at: www.rmspl.com.au/search.asp
- RMS CD catalogue select: [List all Product/Test Manuals](#) under [Technical Library](#)
- Contact RMS or a representative & request a hard copy or PDF by email.



Mechanical Configuration

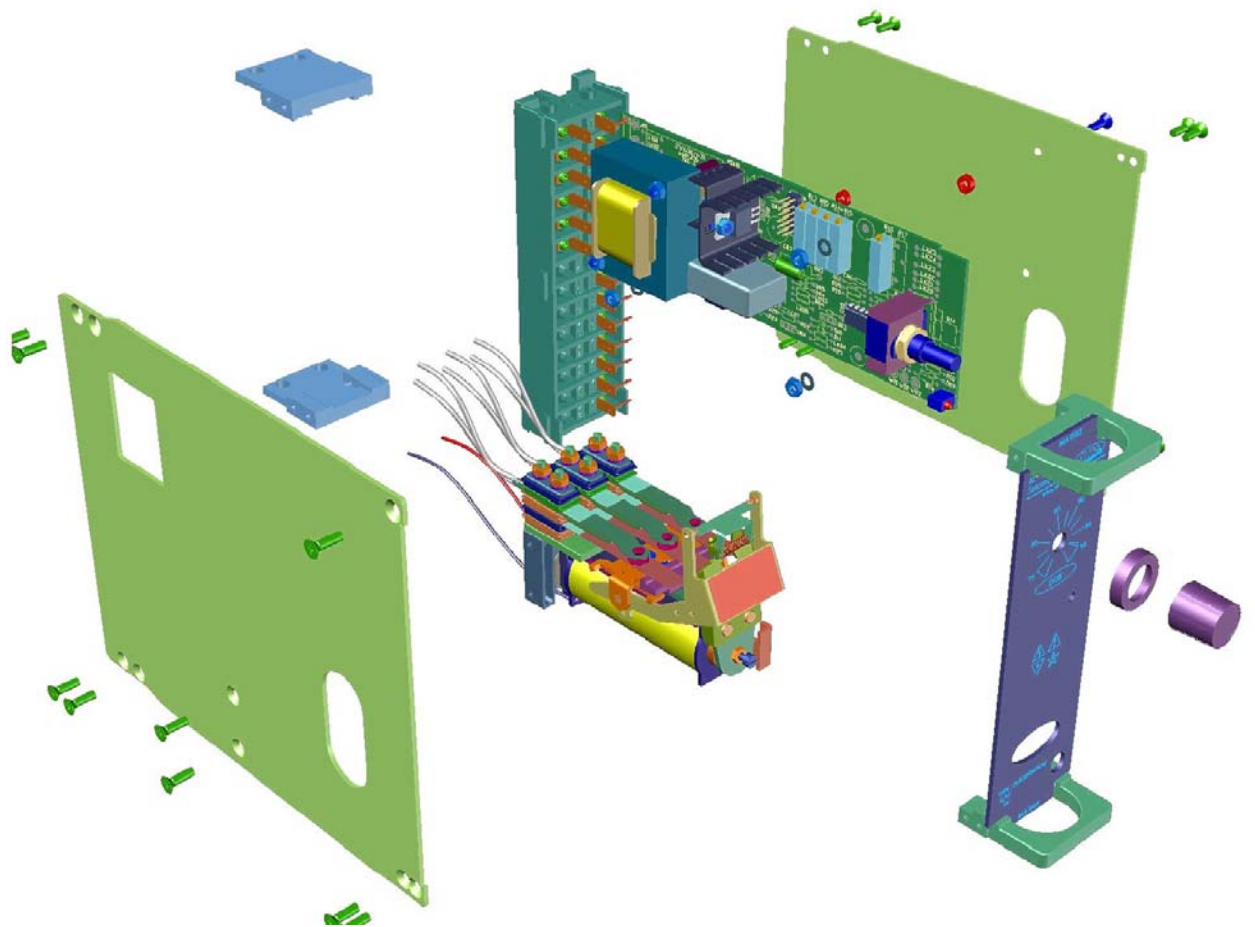
Great care has been taken to design a rugged, cost effective & flexible mechanical solution for the *MATRIX* range of RMS protection relays. The *MATRIX* range provides a compact draw out case solution with M4 screw terminals:

- 2M28 Size 2 with 28 terminals
- 4M28 Size 4 with 28 terminals
- 4M56 Size 4 with 56 terminals

Complete details & attributes for the M (*MATRIX*) cases & accessories may be found at:

<http://www.rmspl.com.au/mseries.htm>

The 2V63 is configured in a 2M28 case & the following photographs depict the general mechanical configuration. It should be noted that re-usable JIS plastic threading (PT type) screws are used to bind the draw out relay module.



2V63 relay assembly depicted in a 2M28 case



Technical Bulletin

The detailed technical attributes, functional description & performance specifications for the 2V63 are described in the attached Technical Bulletin. For the most up to date version go to:

www.rmspl.com.au/handbook/2v63.htm

For any specific attributes of a particular version refer to the Test Manual for that type (K) number.

The order of precedence for technical information is as follows:

- Test Manual
- Technical Bulletin
- User Guide

Features

- AC & DC input versions
- Heavy duty output contacts with optional magnetic arc blowouts
- Select number & type of output contacts
- Self reset LED P/U indication
- Optional hand or self reset mechanical flag
- Simple & proven circuit design
- Fixed or adjustable pick up
- Fixed or adjustable drop out
- May be used in under or over voltage monitoring
- Custom contact arrangement possible
- Self powered from voltage sensing input
- Size 2M28-S or 4M28-S draw out case

Application

The 2V63 series voltage monitoring relays may be applied to a wide range of protection & control functions.

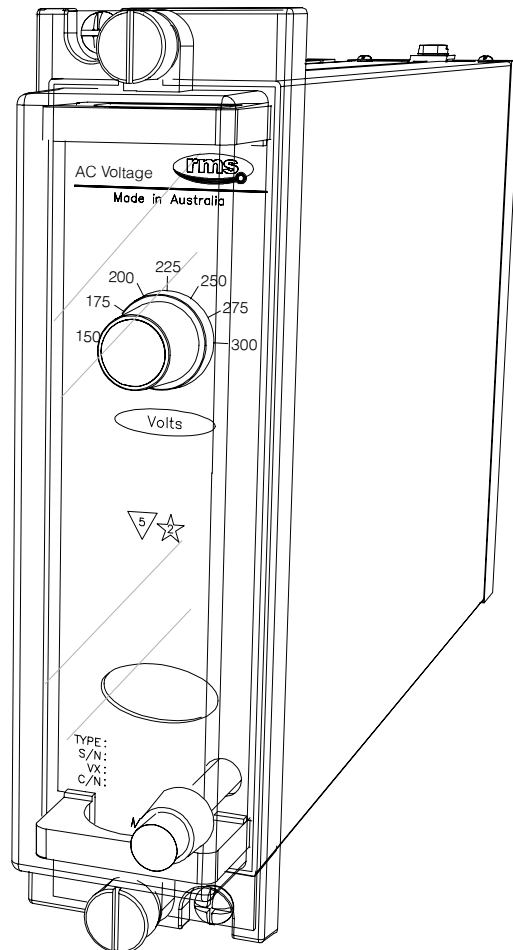
The relay may be set for over voltage operation such that the output contact pick up when the pre set voltage level is exceeded.

Alternatively the relay may be set for under voltage operation such that the output contacts are normally picked up & will drop out when the monitored voltage fall below the drop out level.

Setting Options

Refer order code 6.

- A Adjustable drop out & fixed pick up
- B Adjustable pick up & fixed drop out
- C Adjustable pick up & drop out
- D Fixed pick up & drop out



2V630 depicted in a 2M28 case

Description

Made in Australia

The 2V630 / 2V631 series are solid state voltage sensing relays with electromechanical output contacts built in a fully draw out case format. Designed for application on AC & DC voltage systems, these relays are ideally suited to monitor power supply voltage levels wherever high accuracy and reliable, maintenance free operation is essential.

All power to operate the relays is derived from the sensed input voltage therefore an auxiliary supply is not required. The output relay operates when the input voltage exceeds the pickup setting (P/U) and visual indication is proved by a hand reset mechanical flag or self reset red LED on the front panel.

The output relay will reset when the input voltage drops below the drop out voltage (D/O). The relay may be ordered with a pre-set fixed D/O level or as an adjustable setting value displayed as a percentage of the selected pickup voltage.

- ◆ The 2V630 version is designed for AC 50 or 60Hz voltage operation
- ◆ The 2V631 version is designed for DC voltage operation

2V630 AC Version

VOLTAGE PICK UP RANGES

Adjustable versions:

Range A:	15	to	30V AC
Range B:	30	to	60V AC
Range C:	75	to	150V AC
Range D:	150	to	300V AC
Range E:	300	to	600V AC

Fixed setting versions:

Specify setting with order code – 15 to 600V AC

OPERATING FREQUENCY

50 or 60Hz

DROP OUT VOLTAGE

Fixed setting version: 85% of pick up – Default setting
Specify custom setting with order code

Adjustable setting version: 75 - 98% of pick up all ranges

OPERATE TIMES (Typical)

Pick up: 200 to 800ms across pickup range
Drop out: 200 to 600ms across dropout range

AUXILIARY POWER SUPPLY

Self powered from sense input

SETTING ACCURACY

+/-5% of full scale

POWER CONSUMPTION

5VA maximum

MAXIMUM WITHSTAND

Continuous: 125% of maximum setting
For 3s: 175% of maximum setting

Technical Data

2V631 DC Version

VOLTAGE PICK UP RANGE

Adjustable versions:

Range F:	15	to	30V DC
Range G:	30	to	60V DC
Range H:	75	to	150V DC

Fixed setting versions:

Specify setting with order code – 15 to 150V DC

DROP OUT VOLTAGE

Fixed setting version: 85% of pick up – Default setting
Specify custom setting with order code

Adjustable setting version: 75 - 98% of pick up all ranges

OPERATE TIMES (Typical)

Pick up: 200 to 800ms across pickup range
Drop out: 200 to 600ms across dropout range

AUXILIARY POWER SUPPLY

Self powered from sense input

SETTING ACCURACY

+/-5% of full scale

POWER CONSUMPTION

5VA maximum

MAXIMUM WITHSTAND

Continuous: 125% of maximum setting
For 3s: 150% of maximum setting
Absolute maximum limit: 400V DC for 3s

CONTACTS

3 C/O contacts standard.
Additional contacts may be specified – refer factory.

6R RELAY CONTACT RATINGS

Make & Carry Continuously

3,000 VA AC resistive with maximums of 660V & 12A
3,000 W DC resistive with maximums of 660V & 12A

Make & Carry for 3 Seconds

7,500 VA AC resistive with maximums of 660V & 30A
7,500 W DC resistive with maximums of 660V & 30A

AC Break Capacity

3,000 VA AC resistive with maximums of 660V & 12A

DC Break Capacity (Amps)

Voltage			24V	48V	125V	250V
Resistive rating		a	12	1.5	0.5	0.25
		b	12	12	10	5
L/R=40ms	Maximum break	a	12	1	0.25	0.15
		b	30	15	5.5	3.5
1K operations (N3 Rating)		b	12	12	5	2.5

a = Without magnetic blowouts b = With magnetic blowouts

AMBIENT OPERATING TEMPERATURE RANGE

-5 to 55 degrees C.

INSULATION WITHSTAND

IEC60255-5 2KV RMS & 1.2/50 5KV impulse between:

- ◆ all input terminals & frame
- ◆ all output terminals & frame
- ◆ all input & output terminals
- ◆ each input group
- ◆ each output group

HIGH FREQUENCY DISTURBANCE

IEC60255-22-1 2.5KV 1MHz common mode
1.0KV 1MHz differential mode

ELECTROSTATIC DISCHARGE

EN61000-4-2:1995 8KV Level 3

FAST TRANSIENT DISTURBANCE

EN61000-4-4:1995 4KV Level 4

CASE

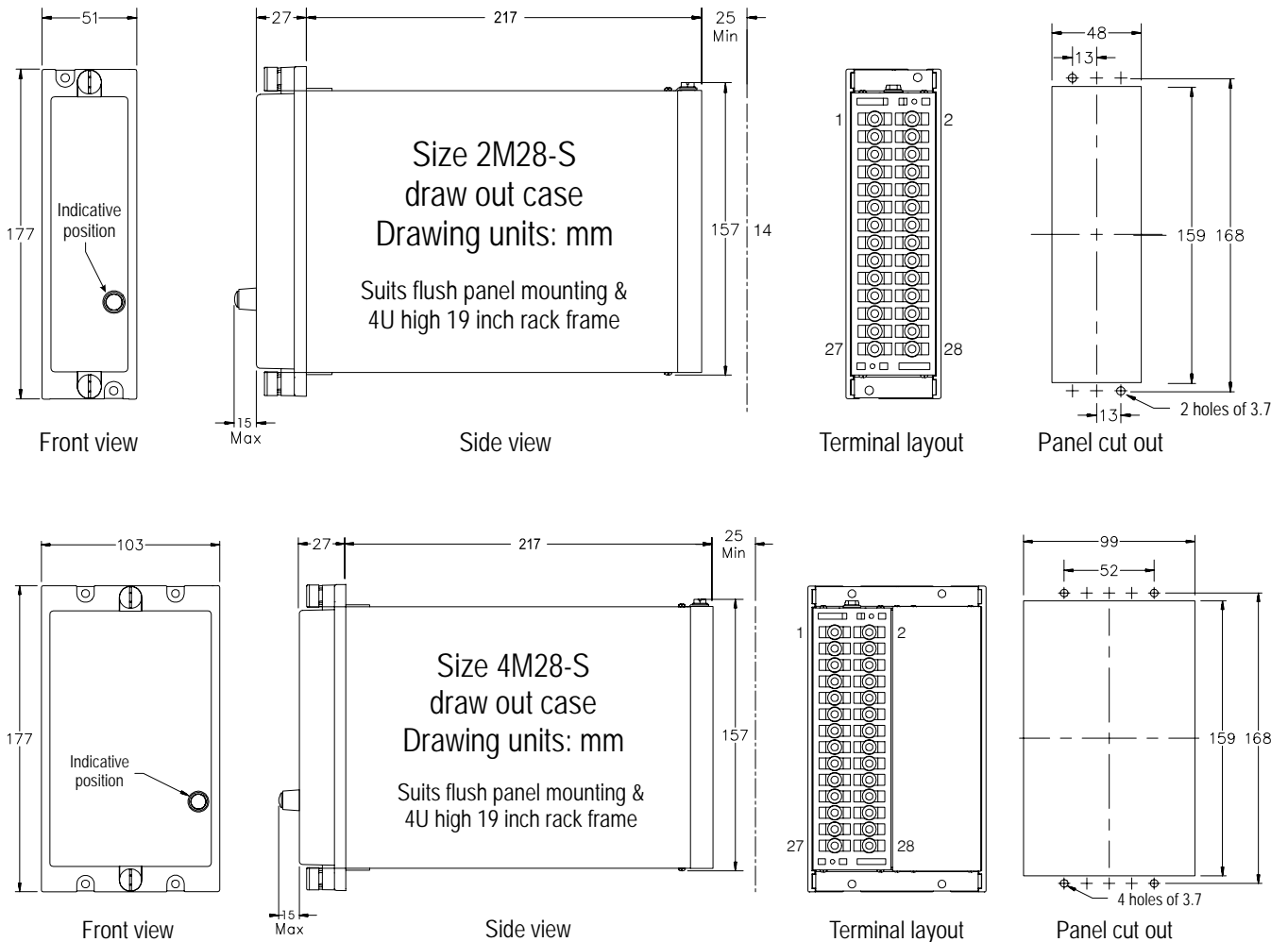
28 M4 screw terminals
IP5x rating

Single element versions

Size 2M28-S draw out case
Flush panel mount or 4U high 1/8 width 19 inch rack mount

Dual element versions

Size 4M28-S draw out case
Flush panel mount or 4U high 1/4 width 19 inch rack mount



Ordering Information

Generate the required ordering code as follows:
e.g. 2V631 – HAABB [120]

2V63

M

 -

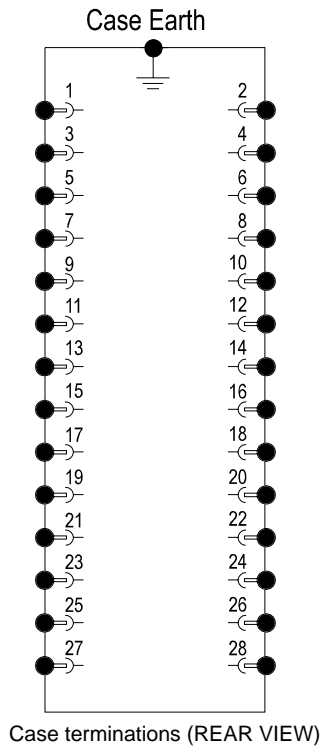
1

2

3

4

5



M MONITORED VOLTAGE

- 0 AC (50 or 60Hz)
- 1 DC

1 VOLTAGE PICK UP RANGE

<u>2V630</u>		<u>2V631</u>	
A	15 to 30V AC	F	15 to 30V DC
B	30 to 60V AC	G	30 to 60V DC
C	75 to 150V AC	H	75 to 150V DC
D	150 to 300V AC		
E	300 to 600V AC		

2 CASE CONFIGURATION

- A One element in a size 2M28 case
- B Two elements in a size 4M28 case

3 OUTPUT CONTACTS

- A Heavy duty 6R contacts
- B Heavy duty 6R contacts with magnetic blowouts

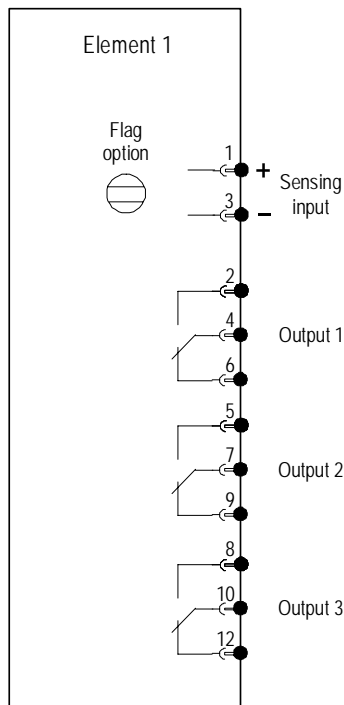
4 FLAG INDICATOR

- A Not required (Self reset LED fitted)
- B Hand reset flag operates on pick up (2F)
- C Hand reset flag operates on drop off (3F)
- D Self reset flag operates on pick up (4F)
- E Self reset flag operates on drop off (5F)

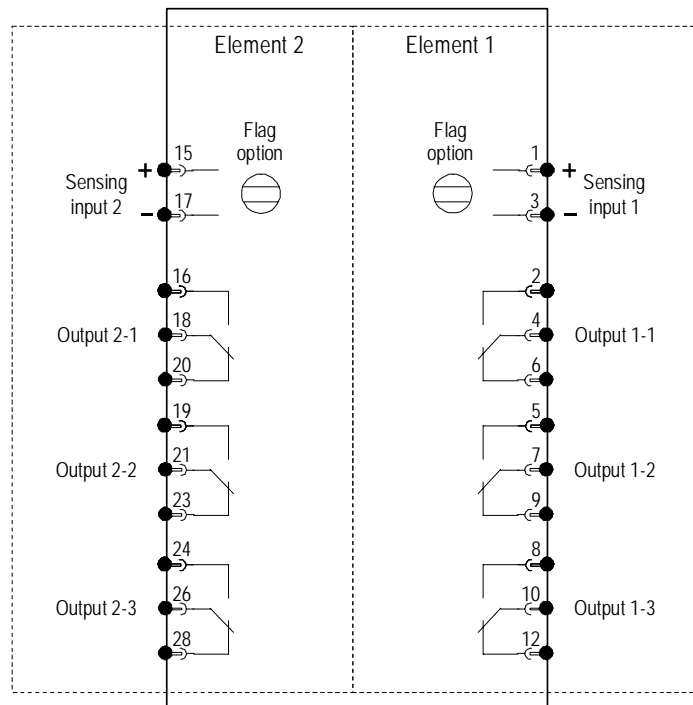
5 VOLTAGE PICK UP & DROP OUT SETTING

- A Adjustable voltage drop out setting & fixed pick up: [] V
- B Adjustable voltage pick up setting & fixed drop out: [] %
- C Adjustable voltage pick up & drop out setting (LED flag only)
- D Fixed voltage pick up setting: [] V & drop out: [] %

One element per case



Two elements per case



2V63 wiring diagram - All contacts shown in de-energised state (FRONT VIEW)

Installation

Handling of Electronic Equipment

A person's normal movements can easily generate electrostatic potentials of several thousand volts. Discharge of these voltages into semiconductor devices when handling electronic circuits can cause serious damage, which often may not be immediately apparent but the reliability of the circuit will have been reduced.

The electronic circuits of Relay Monitoring Systems Pty Ltd products are immune to the relevant levels of electrostatic discharge when housed in the case. Do not expose them to the risk of damage by withdrawing modules unnecessarily.

Each module incorporates the highest practicable protection for its semiconductor devices. However, if it becomes necessary to withdraw a module, the following precautions should be taken to preserve the high reliability and long life for which the equipment has been designed and manufactured.

1. Before removing a module, ensure that you are at the same electrostatic potential as the equipment by touching the case.
2. Handle the module by its front-plate, frame, or edges of the printed circuit board.
3. Avoid touching the electronic components, printed circuit track or connectors.
4. Do not pass the module to any person without first ensuring that you are both at the same electrostatic potential. Shaking hands achieves equipotential.
5. Place the module on an antistatic surface, or on a conducting surface which is at the same potential as yourself.
6. Store or transport the module in a conductive bag.

If you are making measurements on the internal electronic circuitry of an equipment in service, it is preferable that you are earthed to the case with a conductive wrist strap.

Wrist straps should have a resistance to ground between 500k – 10M ohms. If a wrist strap is not available, you should maintain regular contact with the case to prevent the build up of static.

Instrumentation which may be used for making measurements should be earthed to the case whenever possible.



Safety Section

This Safety Section should be read before commencing any work on the equipment.

The information in the Safety Section of the product documentation is intended to ensure that products are properly installed and handled in order to maintain them in a safe condition. It is assumed that everyone who will be associated with the equipment will be familiar with the contents of the Safety Section.

Explanation of Symbols & Labels

The meaning of symbols and labels which may be used on the equipment or in the product documentation, is given below.

Caution: refer to product information

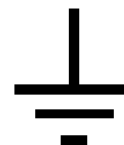


Caution: risk of electric shock



Functional earth terminal

Note: this symbol may also be used for a protective/safety earth terminal if that terminal is part of a terminal block or sub-assembly eg. power supply.





Unpacking

Upon receipt inspect the outer shipping carton or pallet for obvious damage.

Remove the individually packaged relays and inspect the cartons for obvious damage.

To prevent the possible ingress of dirt the carton should not be opened until the relay is to be used. Refer to the following images for unpacking the relay:



Outer packing carton showing shipping documentation pouch.
Address label on top of carton.



Inner packing carton showing front label detailing the customer name, order number, relay part number & description, the relay job number & packing date.
(Size 2 inner packing carton depicted)



Visit www.rmspl.com.au for the latest product information.

Due to RMS continuous product improvement policy this information is subject to change without notice. User_Guide-4/lss E/25/08/08

Unpacking (Continued)



Inner packing carton with lid open showing protective foam insert.

CD depicted supplied with digital relay models or upon request at time of order.



Inner packing carton with protective foam insert removed showing relay location.



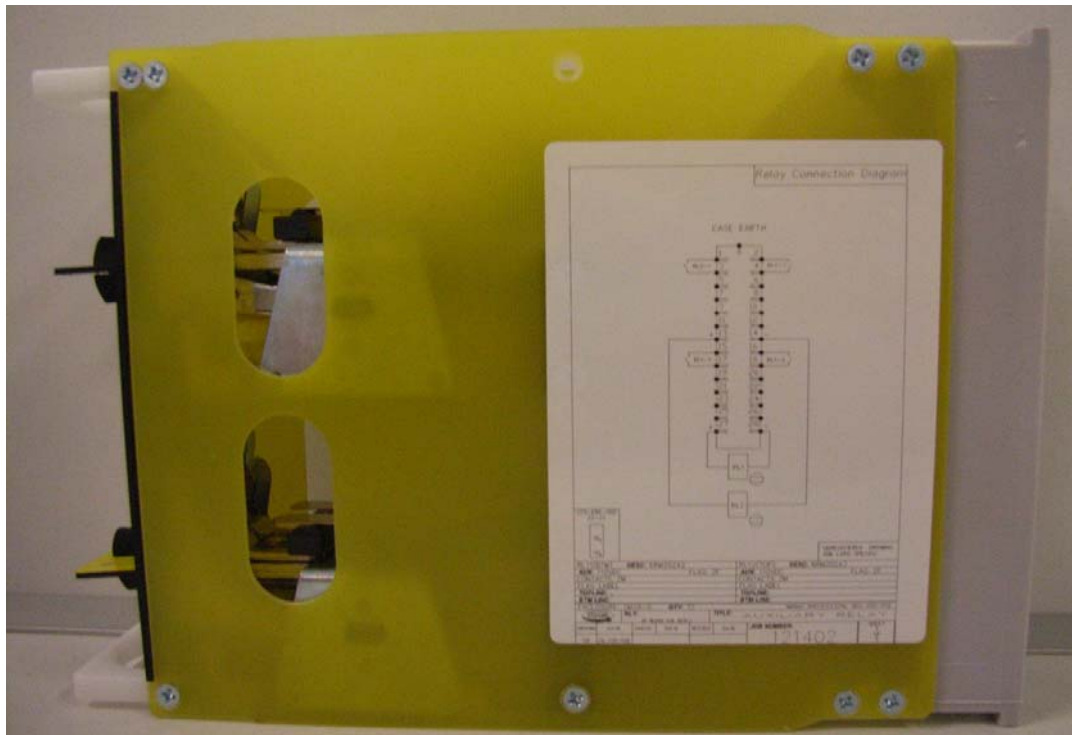
Where mechanical flags are fitted the yellow transit wedge must be removed before operation using a gentle twisting action. The wedge should be stored with the original packaging material.



Relay Module Side Label Depicting Product Details



Relay Module Side Label Depicting Wiring Diagram (6R MATRIX relays only)



Visit www.rmspl.com.au for the latest product information.

Due to RMS continuous product improvement policy this information is subject to change without notice. User_Guide-4/lss E/25/08/08

Accessories Supplied With Each Relay



Self threading M4 mounting screws



M4 terminal screws with captured lock washers

Storage & Handling

If damage has been sustained a claim should immediately be made against the carrier, also inform Relay Monitoring Systems Pty Ltd and the nearest RMS agent

When not required for immediate use, the relay should be returned to its original carton and stored in a clean, dry place.

Relays which have been removed from their cases should not be left in situations where they are exposed to dust or damp. This particularly applies to installations which are being carried out at the same time as constructional work.

If relays are not installed immediately upon receipt they should be stored in a place free from dust and moisture in their original cartons.

Dust which collects on a carton may, on subsequent unpacking, find its way into the relay; in damp conditions the carton and packing may become impregnated with moisture and the de-humidifying agent will lose its efficiency.



Equipment Operating Conditions

The equipment should be operated within the specified electrical and environmental limits.

Protective relays, although generally of robust construction, require careful treatment prior to installation and a wise selection of site. By observing a few simple rules the possibility of premature failure is eliminated and a high degree of performance can be expected.

Care must be taken when unpacking and installing the relays so that none of the parts are damaged or their settings altered and must at all times be handled by skilled persons only.

Relays should be examined for any wedges, clamps, or rubber bands necessary to secure moving parts to prevent damage during transit and these should be removed after installation and before commissioning.

The relay should be mounted on the circuit breaker or panel to allow the operator the best access to the relay functions.

Relay Dimensions & Other Mounting Accessories

Refer drawing in Technical Bulletin. Relevant Auto Cad files & details on other accessories such as 19 inch sub rack frames, semi projection mount kits & stud terminal kits may be down loaded from:

<http://www.rmspl.com.au/mseries.htm>



Visit www.rmspl.com.au for the latest product information.

Due to RMS continuous product improvement policy this information is subject to change without notice. User_Guide-4/lss E/25/08/08



Equipment Connections

Personnel undertaking installation, commissioning or servicing work on this equipment should be aware of the correct working procedures to ensure safety. The product documentation should be consulted before installing, commissioning or servicing the equipment.

Terminals exposed during installation, commissioning and maintenance may present hazardous voltage unless the equipment is electrically isolated.

If there is unlocked access to the rear of the equipment, care should be taken by all personnel to avoid electric shock or energy hazards.

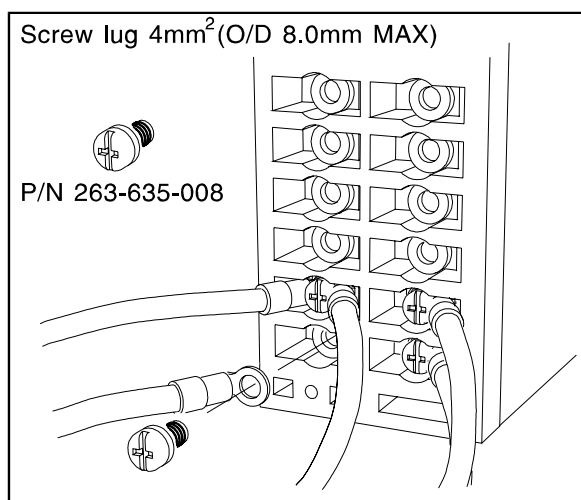
Voltage and current connections should be made using insulated crimp terminations to ensure that terminal block insulation requirements are maintained for safety. To ensure that wires are correctly terminated, the correct crimp terminal and tool for the wire size should be used.

Before energising the equipment it must be earthed using the protective earth terminal, or the appropriate termination of the supply plug in the case of plug connected equipment. Omitting or disconnecting the equipment earth may cause a safety hazard.

The recommended minimum earth wire size is 2.5mm², unless otherwise stated in the technical data section of the product documentation.

Before energising the equipment, the following should be checked:

1. Voltage rating and polarity;
2. CT circuit rating and integrity of connections;
3. Protective fuse rating;
4. Integrity of earth connection (where applicable)





Current Transformer Circuits

Do not open the secondary circuit of a live CT since the high voltage produced may be lethal to personnel and could damage insulation.

External Resistors

Where external resistors are fitted to relays, these may present a risk of electric shock or burns, if touched.

Insulation & Dielectric Strength Testing

Insulation testing may leave capacitors charged up to a hazardous voltage. At the end of each part of the test, the voltage should be gradually reduced to zero, to discharge capacitors, before the test leads are disconnected.

Insertion of Modules

These must not be inserted into or withdrawn from equipment whilst it is energised, since this may result in damage.

Electrical Adjustments

Pieces of equipment which require direct physical adjustments to their operating mechanism to change current or voltage settings, should have the electrical power removed before making the change, to avoid any risk of electric shock.

Mechanical Adjustments

The electrical power to the relay contacts should be removed before checking any mechanical settings, to avoid any risk of electric shock.

Draw Out Case Relays

Removal of the cover on equipment incorporating electromechanical operating elements, may expose hazardous live parts such as relay contacts.

Insertion & Withdrawal of Heavy Current Test Plugs

When using a heavy current test plug, CT shorting links must be in place before insertion or removal, to avoid potentially lethal voltages.



Visit www.rmspl.com.au for the latest product information.

Due to RMS continuous product improvement policy this information is subject to change without notice. User_Guide-4/lss E/25/08/08



Commissioning Preliminaries

Carefully examine the module and case to see that no damage has occurred during transit. Check that the relay serial number on the module, case and cover are identical, and that the model number and rating information are correct.

Carefully remove any elastic bands/packing fitting for transportation purposes.

Check that the external wiring is correct to the relevant relay diagram or scheme diagram. The relay diagram number appears inside the case.

Particular attention should be paid to the correct wiring and value of any external resistors indicated on the wiring diagram/relay rating information.

Note that shorting switches shown on the relay diagram are fitted internally across the relevant case terminals and close when the module is withdrawn. It is essential that such switches are fitted across all CT circuits.

If a test block system is to be employed, the connections should be checked to the scheme diagram, particularly that the supply connections are to the 'live' side of the test block.

Earthing

Ensure that the case earthing connection above the rear terminal block, is used to connect the relay to a local earth bar.

Insulation

The relay, and its associated wiring, may be insulation tested between:

- all electrically isolated circuits
- all circuits and earth

An electronic or brushless insulation tester should be used, having a dc voltage not exceeding 1000V. Accessible terminals of the same circuit should first be strapped together. Deliberate circuit earthing links, removed for the tests, subsequently must be replaced.



Visit www.rmspl.com.au for the latest product information.

Due to RMS continuous product improvement policy this information is subject to change without notice. User_Guide-4/lss E/25/08/08

Commissioning Tests

If the relay is wired through a test block it is recommended that all secondary injection tests should be carried out using this block.

Ensure that the main system current transformers are shorted before isolating the relay from the current transformers in preparation for secondary injection tests.

DANGER

DO NOT OPEN CIRCUIT THE SECONDARY CIRCUIT OF A CURRENT TRANSFORMER SINCE THE HIGH VOLTAGE PRODUCED MAY BE LETHAL AND COULD DAMAGE INSULATION.

It is assumed that the initial preliminary checks have been carried out.

Relay CT shorting switches

With the relay removed from its case, check electrically that the CT shorting switch is closed.

Primary injection testings

It is essential that primary injection testing is carried out to prove the correct polarity of current transformers.

Before commencing any primary injection testing it is essential to ensure that the circuit is dead, isolated from the remainder of the system and that only those earth connections associated with the primary test equipment are in position.

Decommissioning & Disposal

Decommissioning: The auxiliary supply circuit in the relay may include capacitors across the supply or to earth. To avoid electric shock or energy hazards, after completely isolating the supplies to the relay (both poles of any dc supply), the capacitors should be safely discharged via the external terminals prior to decommissioning.

Disposal: It is recommended that incineration and disposal to water courses is avoided. The product should be disposed of in a safe manner.

Maintenance

Mechanical Inspection

Relay Assembly

Inspect the relay for obvious signs of damage or ingress of moisture or other contamination.

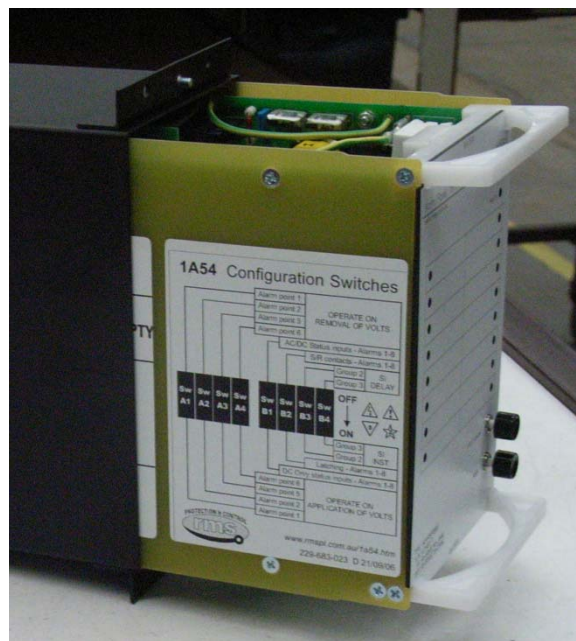
Relay Module

Isolate the relay, remove the front cover & carefully withdraw the relay module from the case.

Care must be taken to avoid subjecting the relay element to static discharge which may damage or degrade sensitive electronic components.

Inspect the relay module for signs of any overheating or burn marks which may have been caused by overvoltage surge or transient conditions on the power supply or digital status inputs.

Inspect the VT & CT stages for degradation of insulation on the terminal wiring & transformer windings.



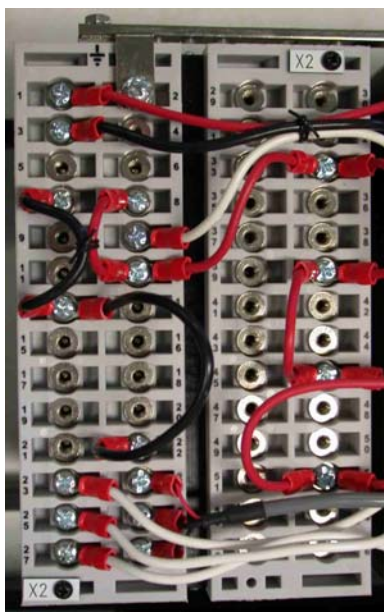
Remove cover by unscrewing black thumb screws & withdraw the relay module from the case.

Relay Case

Inspect the outer terminals checking insulation integrity & tightness.

Inspect inside the case and use a blower to remove dust.

Inspect the inner terminals for worn, distorted or tarnished contacts and if necessary clean the contacts using a brush dipped in a suitable substance.



Case outer terminals



Case inner terminals



Module plug in terminals

Test Intervals

The maintenance tests required will largely depend upon experience and site conditions, but as a general rule it is recommended that the following inspection and tests are performed every twelve months.

- ◆ Mechanical Inspection
- ◆ Check of Connections
- ◆ Insulation Resistance Test
- ◆ Fault Setting Tests by Secondary Injection
- ◆ Tests using Load Current
- ◆ Check the continuity of the neutral CT loop with a bell test set or an ohmmeter



Defect Report Form

Please copy this sheet and use it to report any defect which may occur.

Customers Name & Address:	Contact Name:
	Telephone No:
	Fax No:
Supplied by:	Date when installed:
Site:	Circuit:

When Defect Found

Date:	Commissioning?	Maintenance?	Systems Fault?	Other, Please State:
Product Part No:			Serial Number:	
Copy any message displayed by the relay:				
Describe Defect:				
Describe any other action taken:				
Signature:		Please Print Name:		Date:

For RMS use only

Date Received:	Contact Name:	Reference No:	Date Acknowledged:	Date of Reply:	Date Cleared:
----------------	---------------	---------------	--------------------	----------------	---------------



Visit www.rmspl.com.au for the latest product information.

Due to RMS continuous product improvement policy this information is subject to change without notice. User_Guide-5/Iss D/10/07/08

Australian Content

Unless otherwise stated the product(s) quoted are manufactured by RMS at our production facility in Melbourne Australia. Approximately 60% of our sales volume is derived from equipment manufactured in house with a local content close to 90%. Imported components such as semi-conductors are sourced from local suppliers & preference is given for reasonable stock holding to support our build requirements.

Quality Assurance

RMS holds NCSI (NATA Certification Services International), registration number 6869 for the certification of a quality assurance system to AS/NZS ISO9001-2008. Quality plans for all products involve 100% inspection and testing carried out before despatch. Further details on specific test plans, quality policy & procedures may be found in section A4 of the RMS product catalogue.

Product Packaging

Protection relays are supplied in secure individual packing cardboard boxes with moulded styrene inserts suitable for recycling. Each product & packing box is labeled with the product part number, customer name & order details.

Design References

The products & components produced by RMS are based on many years of field experience since Relays Pty Ltd was formed in 1955. A large population of equipment is in service throughout Australia, New Zealand, South Africa & South East Asia attesting to this fact. Specific product & customer reference sites may be provided on application.

Product Warranty

All utility grade protection & auxiliary relay products, unless otherwise stated, are warranted for a period of 24 months from shipment for materials & labour on a return to factory basis. Repair of products damaged through poor application or circumstances outside the product ratings will be carried out at the customer's expense.

Standard Conditions of Sale

Unless otherwise agreed RMS Standard Terms & Conditions (QF 907) shall apply to all sales. These are available on request or from our web site.



Relay Monitoring Systems Pty Ltd

6 Anzed Court, Mulgrave, Victoria 3170, AUSTRALIA

Tel: +61 3 8544 1200 Fax: +61 3 8544 1201 Email: rms@rmspl.com.au Web: www.rmspl.com.au